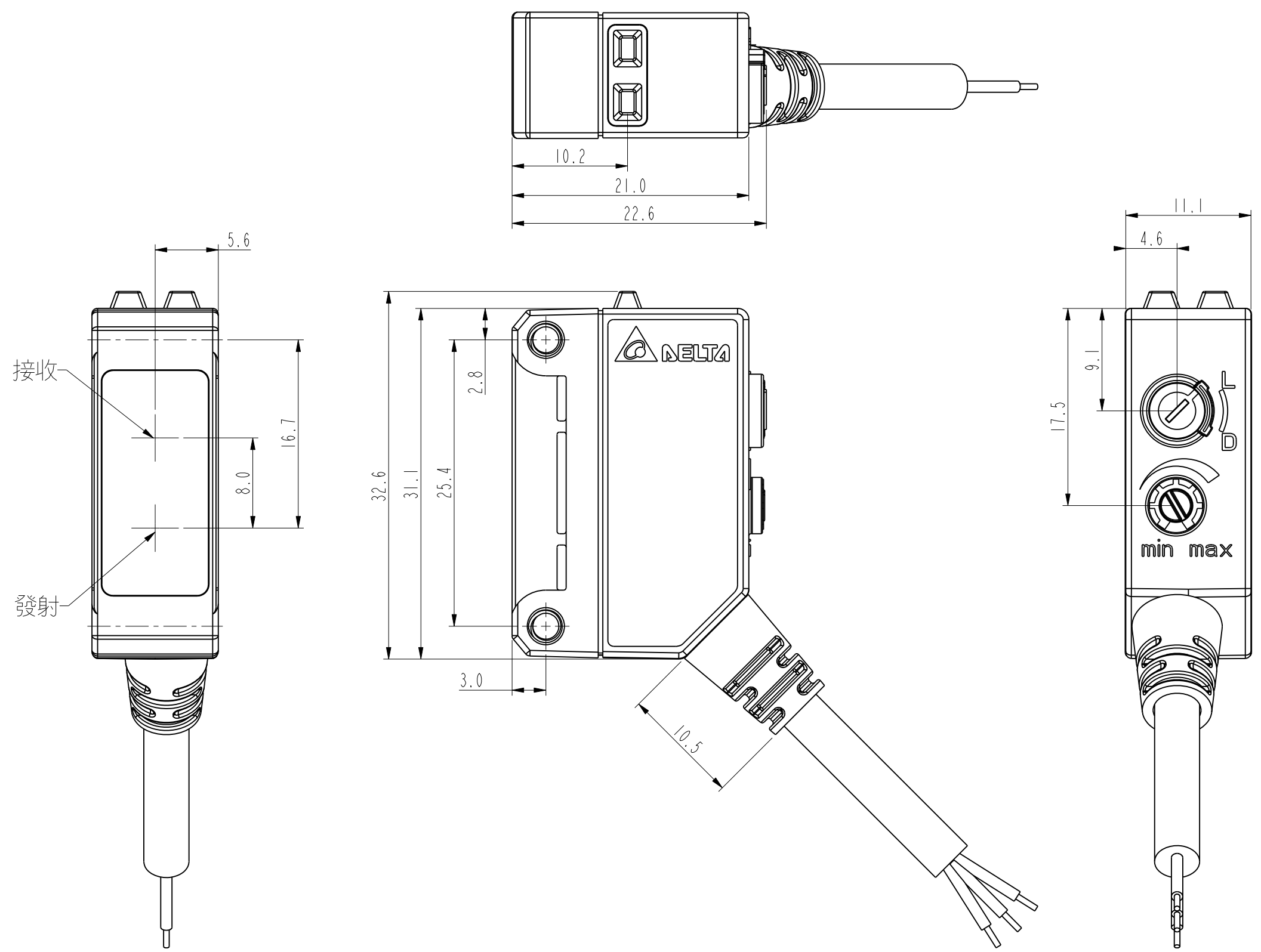


A  
B  
C



REV.	ECN NO.
00	-----

<b>台達電子工業股份有限公司</b> <b>DELTA ELECTRONICS, INC.</b>		DRAWN: Johnson Tu APPROVE: Sean Chang	DESIGN: Johnson Tu DATE: 31-Jul-15
THESE DRAWINGS AND SPECIFICATIONS ARE THE PROPERTY OF DELTA ELECTRONICS, INC. AND SHALL NOT BE REPRODUCED OR USED AS THE BASIS FOR THE MANUFACTURE OR SELL OF APPARATUS OR DEVICES WITHOUT PERMISSION.		DIMENSIONAL TOLERANCES ( V ) ( ) ( ) ( ) ANGLES DECIMALS <50 :±0.1 <50 :±0.15 <50 :±0.2 <30° :±0.1° X :±0.3 >50-100 :±0.15 >50-100 :±0.2 >50-100 :±0.25 >30°-60° :±0.3° X.X :±0.2 >100-200 :±0.2 >100-200 :±0.25 >100-200 :±0.3 >60°-90° :±0.5° X.XX :±0.1 >200- :±0.2X >200- :±0.25X >200- :±0.3X	
DESCRIPTION: PSR Module Ass'y		A3 SIZE THIRD ANGLE PROJECTION	PART NO.: REV. 00
USED ON	UNIT mm	SCALE 2.500	SHEET 1 OF 7

2

3

4