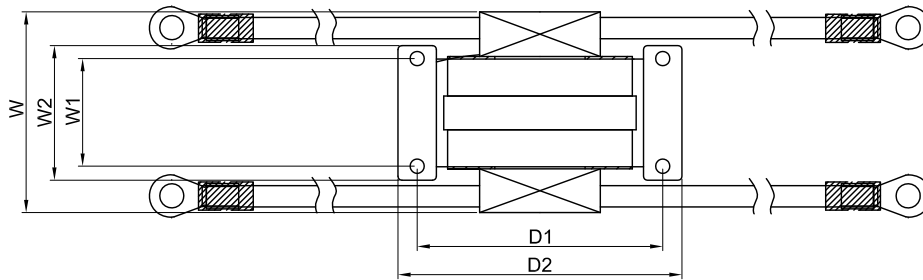
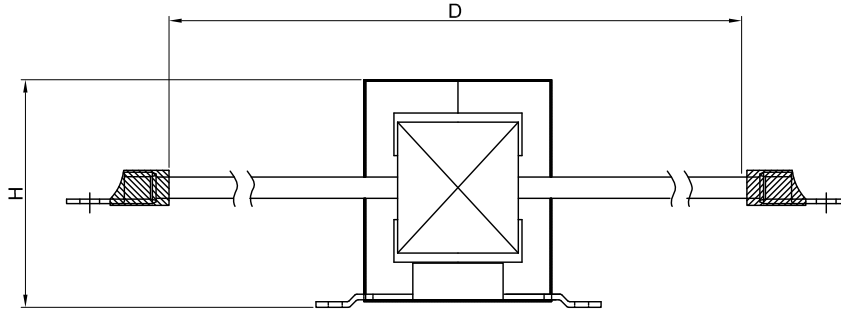


DRAWING_1



MODEL NAME	W	W1	W2	H	D	D1	D2
RG-RC110D2	75.0 [2.95]	32.0 [1.26]	43.0 [1.69]	86.0 [3.39]	158.0 [6.22]	83.0 [3.27]	95.0 [3.74]
RG-RC150D4	75.0 [2.95]	32.0 [1.26]	43.0 [1.69]	86.0 [3.39]	158.0 [6.22]	83.0 [3.27]	95.0 [3.74]
RG-RC220D2	75.0 [2.95]	20.0 [0.79]	33.5 [1.32]	96.0 [3.78]	169.0 [6.65]	93.0 [3.66]	105.0 [4.13]
RG-RC300D4	80.0 [3.15]	20.0 [0.79]	33.5 [1.32]	100.0 [3.94]	183.0 [7.20]	106.5 [4.19]	120.0 [4.72]
RG-RC370D2	85.0 [3.35]	20.0 [0.79]	33.5 [1.32]	96.0 [3.78]	169.0 [6.65]	93.0 [3.66]	105.0 [4.13]
RG-RC550D4	100.0 [3.94]	20.0 [0.79]	46.1 [1.81]	96.0 [3.78]	169.0 [6.65]	93.0 [3.66]	105.0 [4.13]

UNIT: mm [inch]



DELTA

台達電子工業股份有限公司

DELTA ELECTRONICS, INC.

THESE DRAWINGS AND SPECIFICATIONS ARE THE PROPERTY OF DELTA ELECTRONICS, INC. AND SHALL NOT BE REPRODUCED OR USED AS THE BASIS FOR THE MANUFACTURE OR SELL OF APPARATUSES OR DEVICES WITHOUT PERMISSION.

DOCUMENT NAME

REG-CHOKE