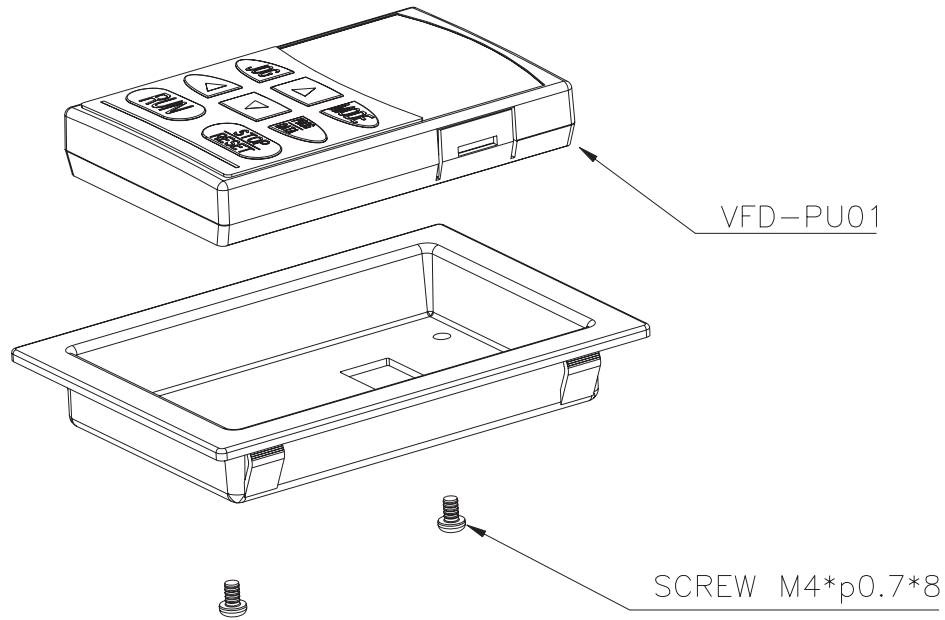


RPA-01 REMOTE PANEL ADAPTER

FOR VFD-PU01 Assembling Instruction

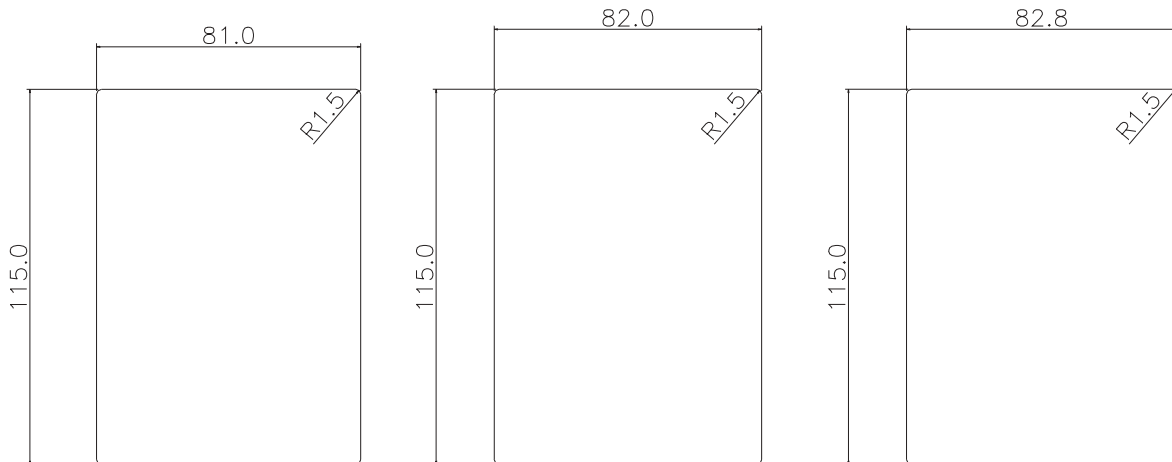


It is recommended to drill a hole according to the height of the keypad.

t = 1.0 mm to 1.4 mm

t = 1.6 mm to 2.0 mm

t = 2.2 mm to 3.0 mm



5011607600



RP01