

1 2 3 4

A

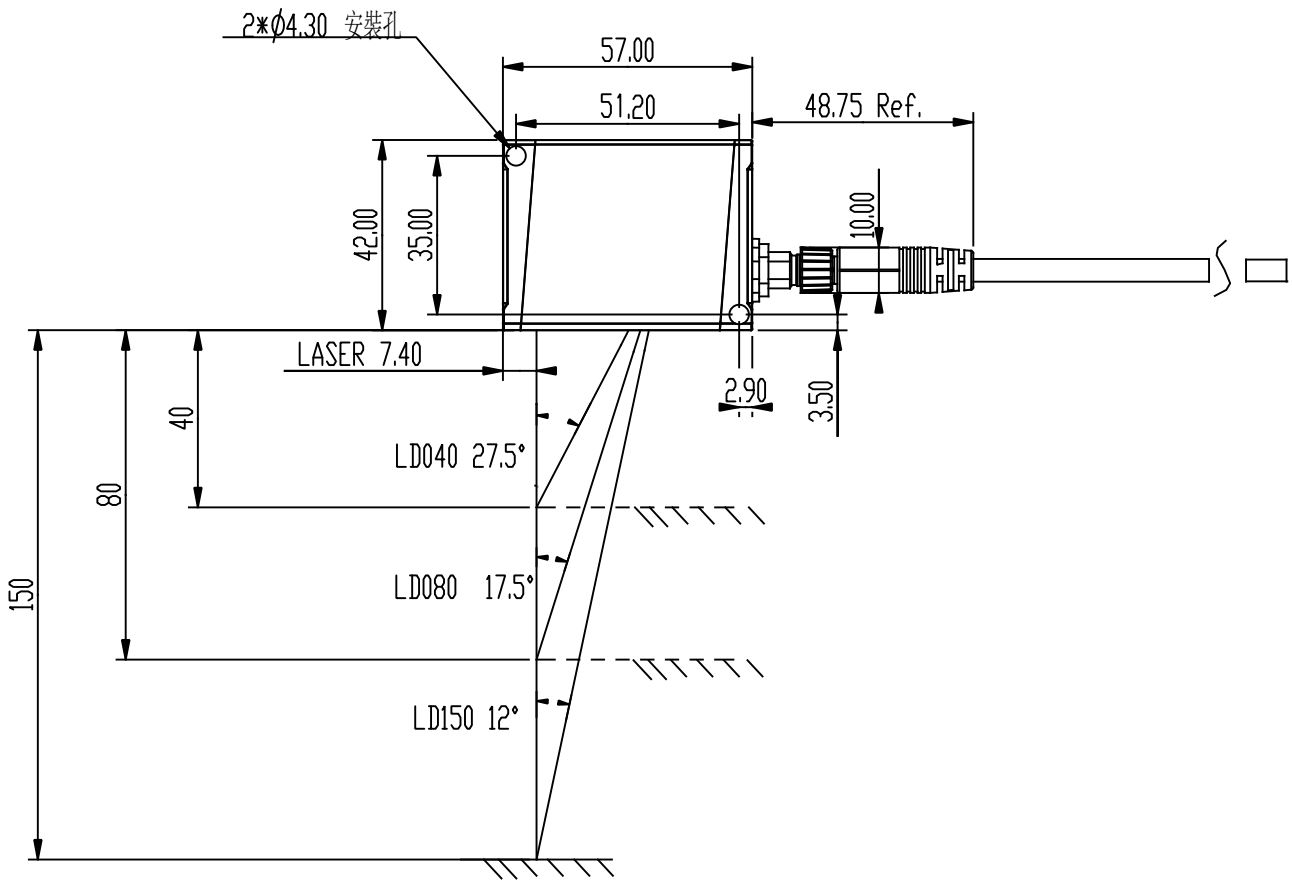
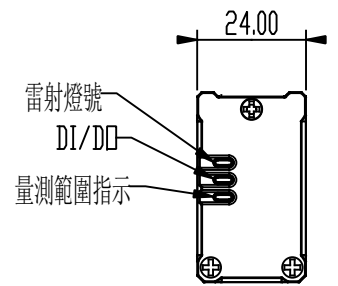
B

C

A

B

C



台達電子工業股份有限公司

DIMENSIONAL TOLERANCES		ANGLES	
DECIMALS	( ) ( V ) ( )	( )	( )
X	<50 ±0.1 >50-100 ±0.15	<50 ±0.15 >50-100 ±0.2	<30° ±0.1° >30°-60° ±0.3°
X.X	<50 ±0.2 >50-100 ±0.25	<50 ±0.2 >50-100 ±0.25	>60°-90° ±0.5°
X.XX	<50 ±0.1 >50-100 ±0.2 >100-200 ±0.25 >200- >200±0.25%	<50 ±0.15 >50-100 ±0.2 >100-200 ±0.25 >200- >200±0.25%	>200- >200±0.3%

DRAWN: A4 SIZE  
 DESIGN:  
 APPROVE:  
 DATE: Dec-01-16

DESCRIPTION: CONFIDENTIAL  
 PART NO.:  
 ECN NO.  
 REV.

THESE DRAWINGS AND SPECIFICATIONS ARE THE PROPERTY OF DELTA ELECTRONICS, INC. AND SHALL NOT BE REPRODUCED OR USED AS THE BASIS FOR THE MANUFACTURE OR SELL OF APPARATUS OR DEVICES WITHOUT PERMISSION.

UNIT mm SCALE 0.032 SHEET 1 OF 1