



Automation for a Changing World

Delta Vision Sensor VIS100 Series



www.deltaww.com

 **DELTA**
Smarter. Greener. Together.

Compact vision sensor for flexible installation

As industrial automation moves toward smart manufacturing, industries seek more intelligent and high-precision inspection devices that are modular and user-friendly in design to fulfill a variety of industry demands. Delta's Vision Sensor VIS100 Series features compact design, powerful processing capabilities, and a variety of I/O points. The VIS100 Series offers excellent 1D/2D barcode reading, object counting and detection.

The VIS100 Series supports high-speed and stable decoding, and allows customers to remotely control cameras, set parameters, adjust programs, and monitor in real-time through browsers on mobile devices, achieving flexible and efficient vision inspection.

【 Easy Setup 】

- Suitable for various inspection applications
- 4G memory
- Modular accessories

【 Efficient Inspection 】

- Modular structure
- Multiple barcode reading
- Highly precise and synchronized inspection



【 Various Applications 】

- Product identification
- Quality inspection

03	Features
03	Inspection Functions
04	Product and Accessories
04	System Structure
05	Applications
07	Specifications
08	Dimensions
08	Ordering Information

Features

- Advanced embedded system for high-speed inspection capabilities
- Compact in size for flexible installation
- User-friendly interfaces for easy setup
- Supports program setup via browsers for simple and rapid device adjustment
- Built-in LED lighting, no need to purchase additional lighting device



Applications:

Automated quality inspection for packaging, electronics manufacturing and product assembly

Inspection Functions

Built-in multi-functional vision development tool modules, applicable for quick and precise barcode reading, object positioning and detection

Barcode Reading



Quality Assurance



Object Inspection



Product and Accessories

Vision Sensor



Connection Cable

• Standard

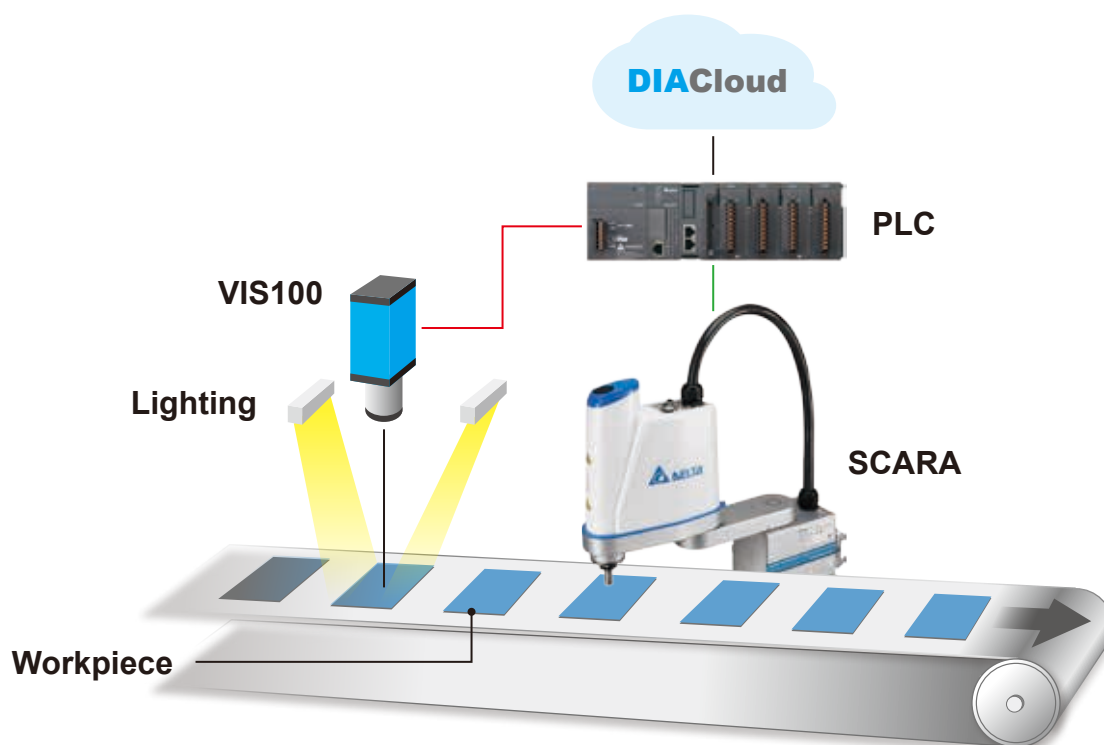


• Optional



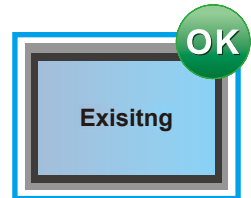
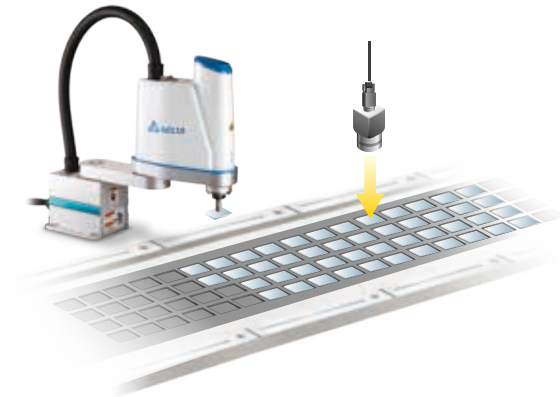
Length
40 cm (Standard)
2 m (Optional)
4 m (Optional)

System Structure

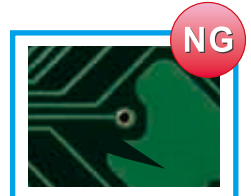
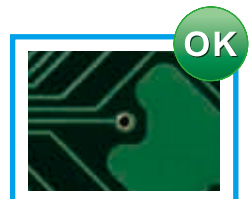
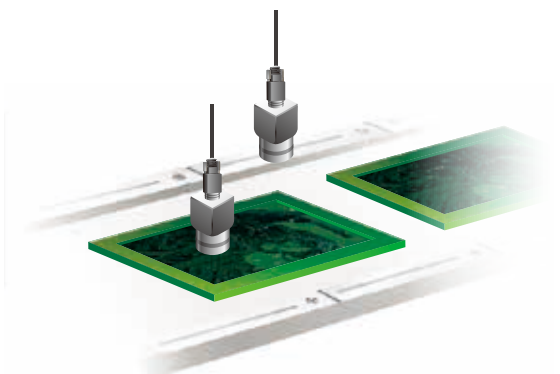


Applications

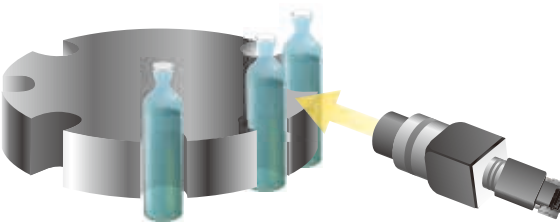
Vision Inspection for Robot Pick-and-Place



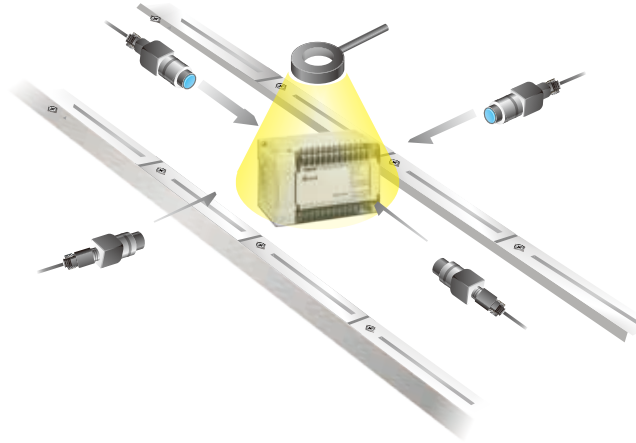
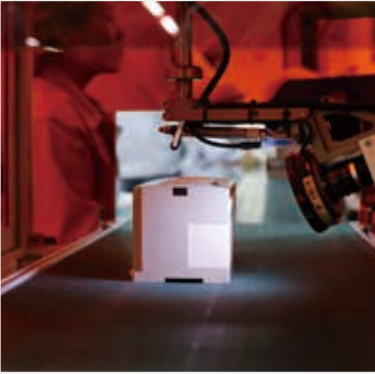
Defect Detection



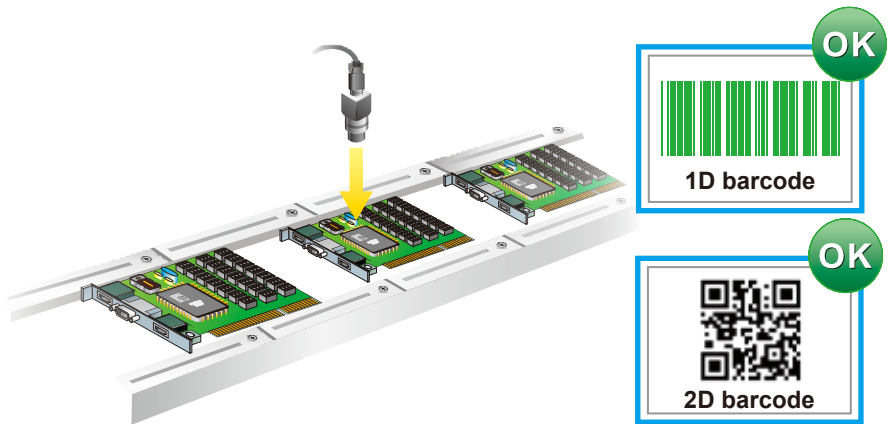
Beverage Level Inspection



Product Inspection



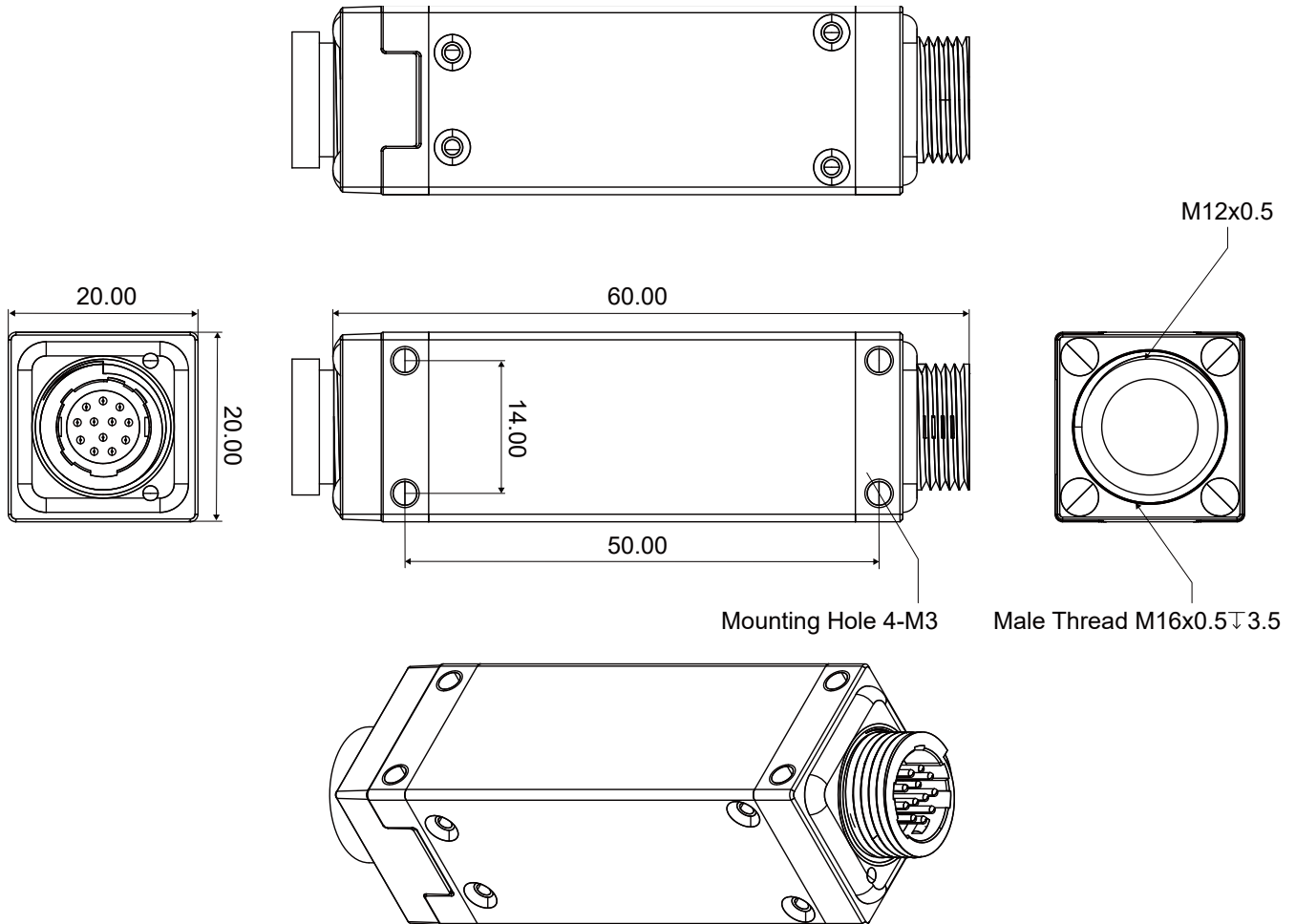
Barcode Reading



Specifications

Category	Item	Description
Processor	CPU	Dual-core ARM CORTEX A9 866MHz
	Operating System	Linux 3.6
Hard Drive	Storage	DDR3 512MB & 4GB Flash
Sensor	Resolution	640 x 480
	Sensor	1/3" CMOS
	Frame Rate	90fps
	Dynamic Range	63dB
I/O	Port Type	1 input, 2 outputs
	Ethernet Speed	10/100 M
	Protocol	TCP/UDP
Lighting	Built-in LED lighting	
Power	Voltage	9 ~ 30 VDC
	Current	24V: 0.1A / 12V: 0.2A
Operating Environment	Operating Temperature	-20 ~ 55°C
Product Specifications	Dimensions	20 x 20 x 60 mm
	Lens	M12 / 8 mm
	Case	Metal
	IP Rating	IP55
	Weight	50g
User Interface	Web browser	

Dimensions (Unit: mm)



Ordering Information

Product	Description	P/N
Vision Sensors	1D and 2D barcode reading	VIS100-30G12D
	Absence/presence detection	VIS100-30GBLD
Extension Cable	2M	VIS-CA02I
	4M	VIS-CA04I

Global Operations

ASIA (Taiwan)



Taoyuan Technology Center (Green Building)



Taoyuan Plant 1



Tainan Plant (Diamond-rated Green Building)

ASIA (China)



Wujiang Plant 3



Delta Electronics



ASIA (Japan)



Tokyo Office

ASIA (India)



Rudrapur Plant
(Green Building)

EUROPE



Amsterdam, Netherlands

AMERICA



Research Triangle Park

▲ Factories 5 ■ Branch Offices 102 ● R&D Centers 6 ■ Distributors 824

Europe

Russia
Moscow

Ukraine

Armenia

Iraq

UAE

India

China

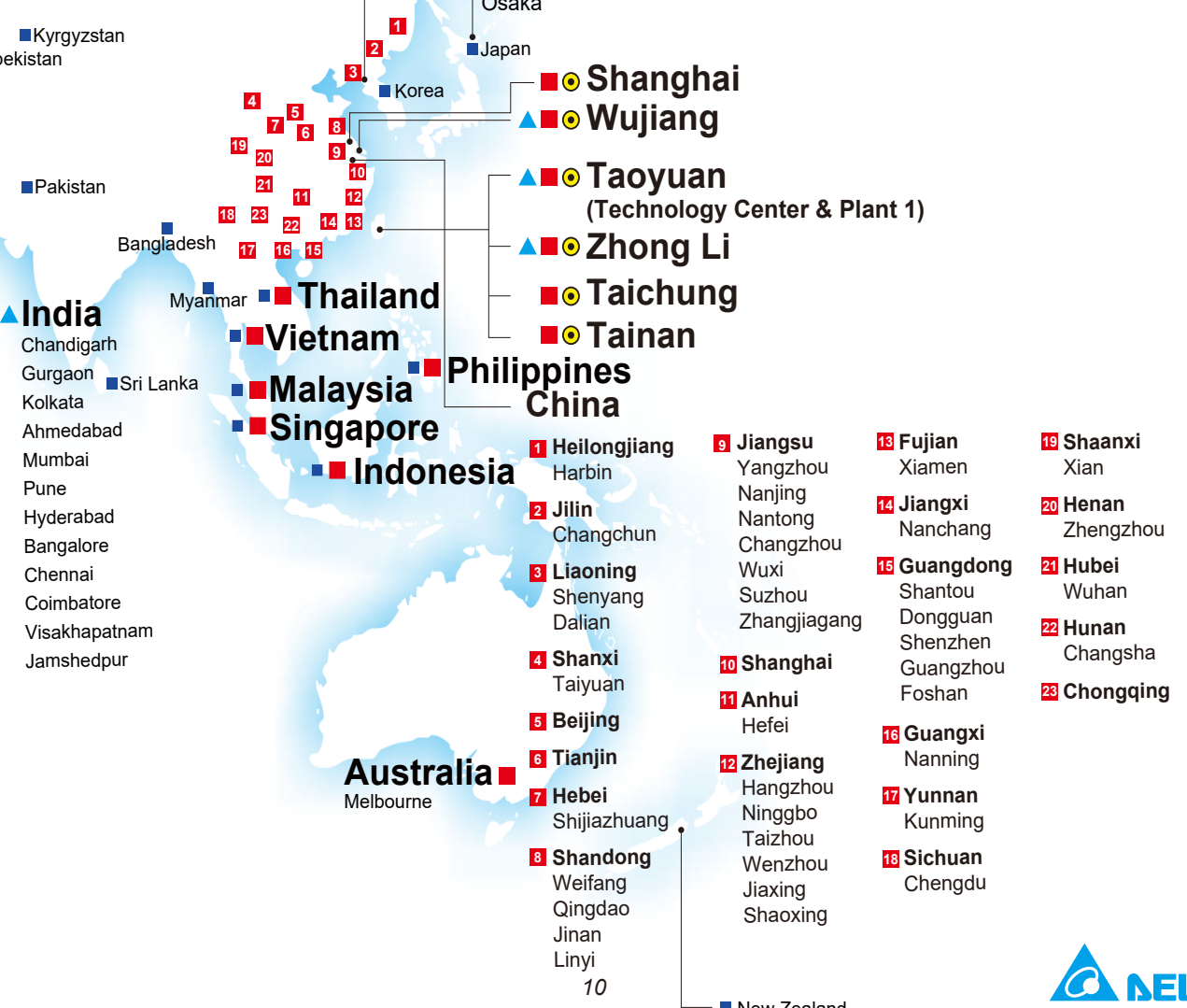
Philippines

Malaysia

Indonesia

Australia

New Zealand





Smarter. Greener. Together.

Industrial Automation Headquarters

Delta Electronics, Inc.

Taoyuan Technology Center
No.18, Xinglong Rd., Taoyuan District,
Taoyuan City 33068, Taiwan
TEL: 886-3-362-6301 / FAX: 886-3-371-6301

Asia

Delta Electronics (Shanghai) Co., Ltd.

No.182 Minyu Rd., Pudong Shanghai, P.R.C.
Post code : 201209
TEL: 86-21-6872-3988 / FAX: 86-21-6872-3996
Customer Service: 400-820-9595

Delta Electronics (Japan), Inc.

Tokyo Office
Industrial Automation Sales Department
2-1-14 Shibadaimon, Minato-ku
Tokyo, Japan 105-0012
TEL: 81-3-5733-1155 / FAX: 81-3-5733-1255

Delta Electronics (Korea), Inc.

Seoul Office
1511, 219, Gasan Digital 1-Ro., Geumcheon-gu,
Seoul, 08501 South Korea
TEL: 82-2-515-5305 / FAX: 82-2-515-5302

Delta Energy Systems (Singapore) Pte Ltd.

4 Kaki Bukit Avenue 1, #05-04, Singapore 417939
TEL: 65-6747-5155 / FAX: 65-6744-9228

Delta Electronics (India) Pvt. Ltd.

Plot No.43, Sector 35, HSIIDC Gurgaon,
PIN 122001, Haryana, India
TEL: 91-124-4874900 / FAX : 91-124-4874945

Delta Electronics (Thailand) PCL.

909 Soi 9, Moo 4, Bangpoo Industrial Estate (E.P.Z),
Pattana 1 Rd., T.Phraksa, A.Muang,
Samutprakarn 10280, Thailand
TEL: 66-2709-2800 / FAX : 662-709-2827

Delta Energy Systems (Australia) Pty Ltd.

Unit 20-21/45 Normanby Rd., Notting Hill Vic 3168, Australia
TEL: 61-3-9543-3720

Americas

Delta Electronics (Americas) Ltd.

Raleigh Office
P.O. Box 12173, 5101 Davis Drive,
Research Triangle Park, NC 27709, U.S.A.
TEL: 1-919-767-3813 / FAX: 1-919-767-3969

Delta Greentech (Brasil) S/A

São Paulo Office
Rua Itapeva, 26 – 3º Andar - Bela Vista
CEP: 01332-000 – São Paulo – SP - Brasil
TEL: 55-11-3530-8642 / 55-11-3530-8640

Delta Electronics International Mexico S.A. de C.V.

Mexico Office
Vía Dr. Gustavo Baz No. 2160, Colonia La Loma,
54060 Tlalnepanlta Estado de Mexico
TEL: 52-55-2628-3015 #3050/3052

EMEA

Headquarters: Delta Electronics (Netherlands) B.V.

Sales: Sales.IA.EMEA@deltaww.com
Marketing: Marketing.IA.EMEA@deltaww.com
Technical Support: iatechnicalsupport@deltaww.com
Customer Support: Customer-Support@deltaww.com
Service: Service.IA.emea@deltaww.com
TEL: +31(0)40 800 3800

BENELUX: Delta Electronics (Netherlands) B.V.

De Witbogt 20, 5652 AG Eindhoven, The Netherlands
Mail: Sales.IA.Benelux@deltaww.com
TEL: +31(0)40 800 3800

DACH: Delta Electronics (Netherlands) B.V.

Coesterweg 45, D-59494 Soest, Germany
Mail: Sales.IA.DACH@deltaww.com
TEL: +49(0)2921 987 0

France: Delta Electronics (France) S.A.

ZI du bois Challand 2, 15 rue des Pyrénées,
Lisses, 91090 Evry Cedex, France
Mail: Sales.IA.FR@deltaww.com
TEL: +33(0)1 69 77 82 60

Iberia: Delta Electronics Solutions (Spain) S.L.U

Ctra. De Villaverde a Vallecas, 265 1º Dcha Ed.
Hormigueras – P.I. de Vallecas 28031 Madrid
TEL: +34(0)91 223 74 20

Carrer Llacuna 166, 08018 Barcelona, Spain

Mail: Sales.IA.Iberia@deltaww.com

Italy: Delta Electronics (Italy) S.r.l.

Ufficio di Milano Via Senigallia 18/2 20161 Milano (MI)
Piazza Grazioli 18 00186 Roma Italy
Mail: Sales.IA.Italy@deltaww.com
TEL: +39 02 64672538

Russia: Delta Energy System LLC

Vereyskaya Plaza II, office 112 Vereyskaya str.
17 121357 Moscow Russia
Mail: Sales.IA.RU@deltaww.com
TEL: +7 495 644 3240

Turkey: Delta Greentech Elektronik San. Ltd. Sti. (Turkey)

Şerifaii Mah. Hendem Cad. Kule Sok. No:16-A
34775 Ümraniye – İstanbul
Mail: Sales.IA.Turkey@deltaww.com
TEL: + 90 216 499 9910

GCC: Delta Energy Systems AG (Dubai BR)

P.O. Box 185668, Gate 7, 3rd Floor, Hamarain Centre
Dubai, United Arab Emirates
Mail: Sales.IA.MEA@deltaww.com
TEL: +971(0)4 2690148

Egypt + North Africa: Delta Electronics

511 Cairo Business Plaza, North 90 street,
New Cairo, Cairo, Egypt
Mail: Sales.IA.MEA@deltaww.com