

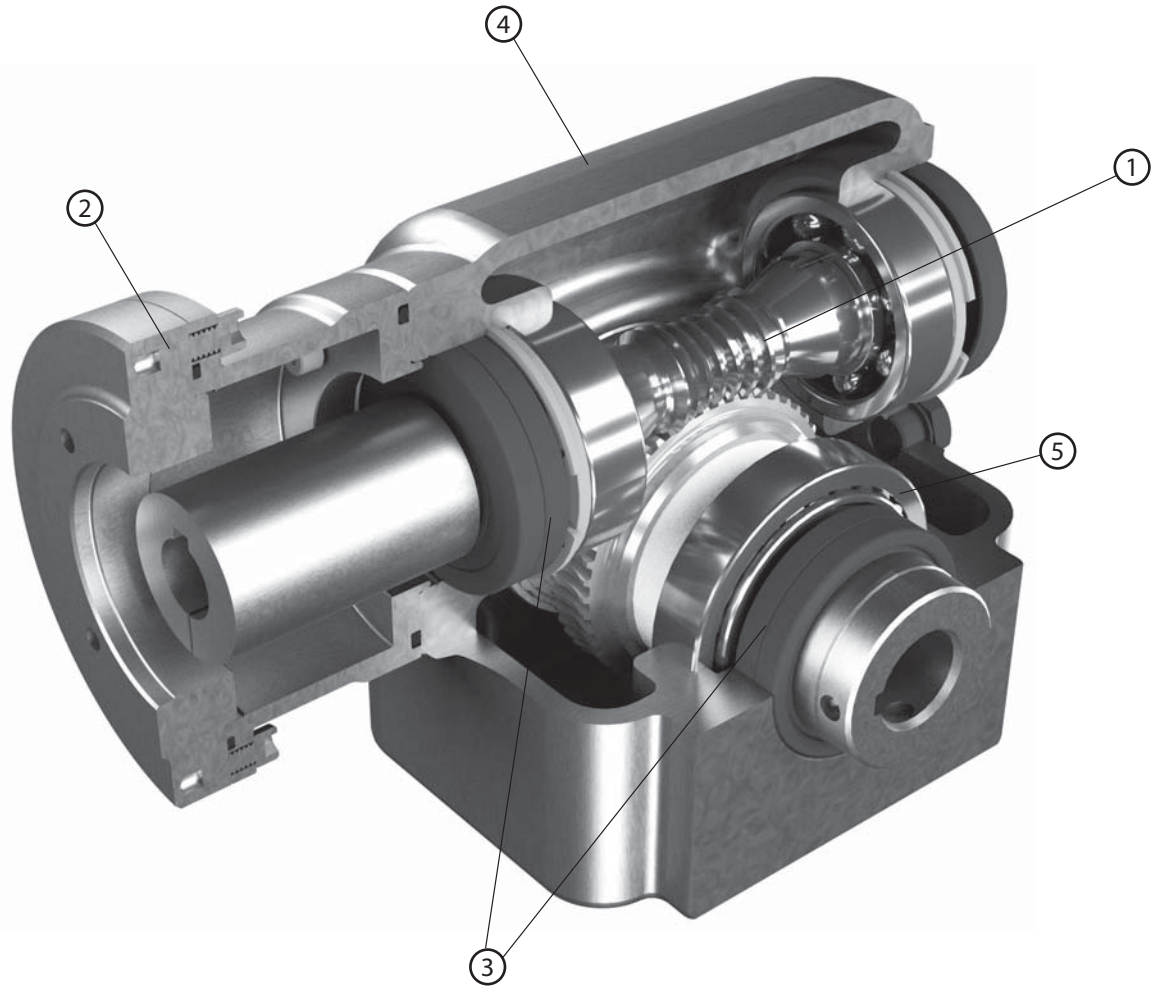


EJP SERIES

- IP69K ingress protection with smooth, rounded 316 stainless housing
- Certified by 3A, NSF and EHEDG
- Easy mounting to stainless steel servo or NEMA motors
- 5 frame sizes with output torque up to 721 Nm

EJS SERIES Right-angle Worm

EJS Series Features



- ① Globoidal gear set – between 3-8 teeth in contact at once, allowing 300% shock load capacity
- ② Motor adapters designed to fit face mounted stainless steel servo or induction motors
- ③ Double input and output seals; Nitrile or Viton options
- ④ Smooth, round stainless steel housing with electro-polished surface
- ⑤ Tapered roller bearings

EJS Series Model Code

EJS	-	5	0	-	2	5	-	H	0	0	-	K	D	1	6	A	-	B	N
(1) Model	-	(2) Frame Size	-	(3) Ratio	-	(4) Output Shaft	(5) Backlash	(6) Motor Mounting				(7) Modifications							
											Motor Code	Motor Shaft Diameter							

(1) Model

Order Code

EJS	Worm Stainless
-----	----------------

(2) Frame Size

Order Code

EJS	39
EJS	44
EJS	50
EJS	60
EJS	76

(3) Ratio

Order Code

5	Single Reduction	5:1
7		7.5:1
10		10:1
15		15:1
20		20:1
25		25:1
30		30:1
40		40:1
50		50:1
60		60:1

(4) Output Shaft

Order Code

(See the following pictures)

H0	Hollow Shaft(*1)
SR	Solid Shaft Right
SL	Solid Shaft Left
SW	Solid Double
DR	Hollow Shrink Right
DR	Hollow Shrink Right

(5) Backlash

Order Code

0	Standard
L	Low Backlash

(6) Motor Mounting

Order Code

Motor Code	Motor Shaft Dia.				Motor Brand & Code
-					Shaft-In (no adapter)
C56					NEMA 56C
C140					NEMA 143/145TC
C180					NEMA 182/184TC
A	A	1	6		Allen Bradley MPS-A / B330P
A	B	2	4		Allen Bradley MPS-A / B4540F, VPS-A1304D
A	C	2	8		Allen Bradley MPS-A / B560F, VPS-B1653D
K	A	1	4		Kollmorgen AKMH3 Code AC or AN
K	B	1	4		Kollmorgen AKMH3 Code CC or CN
K	C	1	9		Kollmorgen AKMH4 Code AC or AN
K	D	1	6	A	Kollmorgen AKMH4 Code BK or BN
K	E	1	9		Kollmorgen AKMH4 Code CC or CN
K	F	1	6	A	Kollmorgen AKMH4 Code DK or DN
K	H	2	4		Kollmorgen AKMH5 Code AC or AN
K	I	1	9	A	Kollmorgen AKMH5 Code BK or BN
K	J	1	9	A	Kollmorgen AKMH5 Code DK or DN
K	K	2	4		Kollmorgen AKMH5 Code CC or CN
K	L	2	4		Kollmorgen AKMH5 Code GC or GN
K	M	2	4		Kollmorgen AKMH5 Code HC or HN
K	P	3	2		Kollmorgen AKMH6 Code AC or AN
K	Q	3	2		Kollmorgen AKMH6 Code CC or CN
K	R	2	8	A	Kollmorgen AKMH6, Code DK or DN

(7) Modifications(*3)

Order Code

N/A	Standard
H	Foundation Hole Plug
C	External Viton Seals
ML	Mounting Flange - Left
MR	Mounting Flange - Right
FL	Machined Face - Left
FR	Machined Face - Right
N	Inch Solid/Hollow output shaft
B	Feet Base
E	Double Extended Input Shaft
A_	Specify

Inch Hollow Bore Size options (*2)

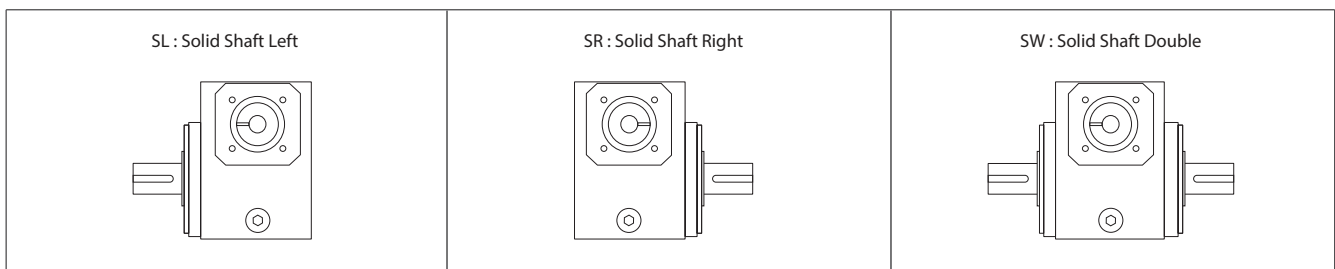
Hollow Bore Size	39	44	50	60	76
0.625"	.				
0.875"	.	.			
1.000"	A	.	.	.	
1.125"		.	.	.	
1.188"			.	.	
1.250"		A	.	.	
1.438"			A	A	.
1.750"					.
1.938"					.
2.188"					A

Notes:

*1) See inch hollow bore size option table.

*2) Hollow bore options option for each frame size. "A" is standard.

Output Shaft Orientation



EJS 039 1-Stage Specifications

Frame Size	039					
Stage	1-Stage					
Ratio	--	5	7.5	10	15	20
Nominal Output Torque	[Nm]	41.8	52.1	58.4	70.4	69.7
Maximum Acceleration Torque	[Nm]	56.4	70.1	77.9	93	91.1
Emergency Stop Torque	[Nm]	83.6	104	117	141	139
No Load Running Torque *1	[Nm]	0.45				
Nominal Input Speed	[rpm]	2,000				
Maximum Continuous Input Speed	[rpm]	3,000				
Maximum Cyclic Input Speed	[rpm]	3,000				
Maximum Radial Load *2	[N]	2,670				
Maximum Axial Load *3	[N]	2,670				
Moment of Inertia	[kgcm ²]	1.05	0.93	0.89	0.86	0.85
Efficiency *4	[%]	92	91	90	88	85
Torsional Rigidity	[Nm/arcmin]	5.8				
Maximum Torsional Backlash (Standard)	[Arc-min]	≤ 24				
Maximum Torsional Backlash (Low)	[Arc-min]	≤ 8				
Noise Level *5	[dB]	≤ 73				
Weight *6	[kg]	14				
Ambient Temperature	[°C]	-23 ~ 93				
Permitted Housing Temperature	[°C]	100				
Service Life	[Hours]	20,000				
Protection Class	--	IP 69K				
Lubrication	--	Synthetic Food Grade Oil				
Mounting Position	--	Any				

*1) Torque at no load applied to the input shaft at 2,000 rpm

*2) The maximum radial load the gearbox can accept

*3) The maximum axial load the gearbox can accept

*4) The efficiency at the nominal output torque rating

*5) Measured with no load applied to the input shaft at 2,000 rpm

*6) Weight may vary slightly between models

EJS 039 1-Stage Specifications

Frame Size	039					
Stage	1-Stage					
Ratio	--	25	30	40	50	60
Nominal Output Torque	[Nm]	69.5	66.4	63.4	61.1	58.8
Maximum Acceleration Torque	[Nm]	90.9	86.8	82.9	79.9	76.6
Emergency Stop Torque	[Nm]	139	133	127	122	118
No Load Running Torque *1	[Nm]	0.45				
Nominal Input Speed	[rpm]	2,000				
Maximum Continuous Input Speed	[rpm]	3,000				
Maximum Cyclic Input Speed	[rpm]	3,000				
Maximum Radial Load *2	[N]	2,670				
Maximum Axial Load *3	[N]	2,670				
Moment of Inertia	[kgcm ²]	0.85	0.85	0.85	0.84	0.84
Efficiency *4	[%]	84	80	76	73	70
Torsional Rigidity	[Nm/arcmin]	5.8				
Maximum Torsional Backlash (Standard)	[Arc-min]	≤ 24				
Maximum Torsional Backlash (Low)	[Arc-min]	≤ 8				
Noise Level *5	[dB]	≤ 73				
Weight *6	[kg]	14				
Ambient Temperature	[°C]	-23 ~ 93				
Permitted Housing Temperature	[°C]	100				
Service Life	[Hours]	20,000				
Protection Class	--	IP 69K				
Lubrication	--	Synthetic Food Grade Oil				
Mounting Position	--	Any				

*1) Torque at no load applied to the input shaft at 2,000 rpm

*2) The maximum radial load the gearbox can accept

*3) The maximum axial load the gearbox can accept

*4) The efficiency at the nominal output torque rating

*5) Measured with no load applied to the input shaft at 2,000 rpm

*6) Weight may vary slightly between models

EJS 044 1-Stage Specifications

Frame Size	044					
Stage	1-Stage					
Ratio	Units	5	7.5	10	15	20
Nominal Output Torque	[Nm]	57.9	72.2	80.9	91.5	90.7
Maximum Acceleration Torque	[Nm]	78.1	97.2	108	122	120
Emergency Stop Torque	[Nm]	116	144	162	183	181
No Load Running Torque *1	[Nm]	0.68				
Nominal Input Speed	[rpm]	2,000				
Maximum Continuous Input Speed	[rpm]	3,000				
Maximum Cyclic Input Speed	[rpm]	3,000				
Maximum Radial Load *2	[N]	4,895				
Maximum Axial Load *3	[N]	4,895				
Moment of Inertia	[kgcm ²]	1.36	1.16	1.08	1.03	1.01
Efficiency *4	[%]	92	91	90	88	85
Torsional Rigidity	[Nm/arcmin]	7.6				
Maximum Torsional Backlash (Standard)	[Arc-min]	≤ 20				
Maximum Torsional Backlash (Low)	[Arc-min]	≤ 7				
Noise Level *5	[dB]	≤ 75				
Weight *6	[kg]	15.5				
Ambient Temperature	[°C]	-23 ~ 93				
Permitted Housing Temperature	[°C]	100				
Service Life	[Hours]	20,000				
Protection Class	--	IP 69K				
Lubrication	--	Synthetic Food Grade Oil				
Mounting Position	--	Any				

*1) Torque at no load applied to the input shaft at 2,000 rpm

*2) The maximum radial load the gearbox can accept

*3) The maximum axial load the gearbox can accept

*4) The efficiency at the nominal output torque rating

*5) Measured with no load applied to the input shaft at 2,000 rpm

*6) Weight may vary slightly between models

EJS 044 1-Stage Specifications

Frame Size	044					
Stage	1-Stage					
Ratio	Units	25	30	40	50	60
Nominal Output Torque	[Nm]	89.6	92.2	87.9	84.8	81.5
Maximum Acceleration Torque	[Nm]	96.3	120	115	111	106
Emergency Stop Torque	[Nm]	179	184	176	170	163
No Load Running Torque *1	[Nm]	0.68				
Nominal Input Speed	[rpm]	2,000				
Maximum Continuous Input Speed	[rpm]	3,000				
Maximum Cyclic Input Speed	[rpm]	3,000				
Maximum Radial Load *2	[N]	4,895				
Maximum Axial Load *3	[N]	4,895				
Moment of Inertia	[kgcm ²]	1.01	1.00	1.00	1.00	0.99
Efficiency *4	[%]	84	80	76	73	70
Torsional Rigidity	[Nm/arcmin]	7.6				
Maximum Torsional Backlash (Standard)	[Arc-min]	≤ 20				
Maximum Torsional Backlash (Low)	[Arc-min]	≤ 7				
Noise Level *5	[dB]	≤ 75				
Weight *6	[kg]	15.5				
Ambient Temperature	[°C]	-23 ~ 93				
Permitted Housing Temperature	[°C]	100				
Service Life	[Hours]	20,000				
Protection Class	--	IP 69K				
Lubrication	--	Synthetic Food Grade Oil				
Mounting Position	--	Any				

*1) Torque at no load applied to the input shaft at 2,000 rpm

*2) The maximum radial load the gearbox can accept

*3) The maximum axial load the gearbox can accept

*4) The efficiency at the nominal output torque rating

*5) Measured with no load applied to the input shaft at 2,000 rpm

*6) Weight may vary slightly between models

EJS 050 1-Stage Specifications

Frame Size	050					
Stage	1-Stage					
Ratio	--	5	7.5	10	15	20
Nominal Output Torque	[Nm]	77.3	96.4	108	130	129
Maximum Acceleration Torque	[Nm]	104	130	144	172	168
Emergency Stop Torque	[Nm]	155	193	216	260	258
No Load Running Torque *1	[Nm]	0.74				
Nominal Input Speed	[rpm]	2,000				
Maximum Continuous Input Speed	[rpm]	3,000				
Maximum Cyclic Input Speed	[rpm]	3,000				
Maximum Radial Load *2	[N]	5,340				
Maximum Axial Load *3	[N]	5,340				
Moment of Inertia ($\leq \varnothing 19$)	[kgcm ²]	2.54	2.18	2.05	1.96	1.93
Efficiency *4	[%]	92	91	90	88	85
Torsional Rigidity	[Nm/arcmin]	10.4				
Maximum Torsional Backlash (Standard)	[Arc-min]	≤ 15				
Maximum Torsional Backlash (Low)	[Arc-min]	≤ 6				
Noise Level *5	[dB]	≤ 80				
Weight *6	[kg]	16				
Ambient Temperature	[°C]	-23 ~ 93				
Permitted Housing Temperature	[°C]	100				
Service Life	[Hours]	20,000				
Protection Class	--	IP 69K				
Lubrication	--	Synthetic Food Grade Oil				
Mounting Position	--	Any				

*1) Torque at no load applied to the input shaft at 2,000 rpm

*2) The maximum radial load the gearbox can accept

*3) The maximum axial load the gearbox can accept

*4) The efficiency at the nominal output torque rating

*5) Measured with no load applied to the input shaft at 2,000 rpm

*6) Weight may vary slightly between models

EJS 050 1-Stage Specifications

Frame Size	050					
Stage	1-Stage					
Ratio	--	25	30	40	50	60
Nominal Output Torque	[Nm]	129	123	117	113	109
Maximum Acceleration Torque	[Nm]	168	161	154	148	142
Emergency Stop Torque	[Nm]	258	246	234	226	218
No Load Running Torque *1	[Nm]	0.74				
Nominal Input Speed	[rpm]	2,000				
Maximum Continuous Input Speed	[rpm]	3,000				
Maximum Cyclic Input Speed	[rpm]	3,000				
Maximum Radial Load *2	[N]	5,340				
Maximum Axial Load *3	[N]	5,340				
Moment of Inertia (≤ Ø19)	[kgcm ²]	1.92	1.91	1.90	1.90	1.89
Efficiency *4	[%]	84	80	76	73	70
Torsional Rigidity	[Nm/arcmin]	10.4				
Maximum Torsional Backlash (Standard)	[Arc-min]	≤ 15				
Maximum Torsional Backlash (Low)	[Arc-min]	≤ 6				
Noise Level *5	[dB]	≤ 80				
Weight *6	[kg]	16				
Ambient Temperature	[°C]	-23 ~ 93				
Permitted Housing Temperature	[°C]	100				
Service Life	[Hours]	20,000				
Protection Class	--	IP 69K				
Lubrication	--	Synthetic Food Grade Oil				
Mounting Position	--	Any				

*1) Torque at no load applied to the input shaft at 2,000 rpm

*2) The maximum radial load the gearbox can accept

*3) The maximum axial load the gearbox can accept

*4) The efficiency at the nominal output torque rating

*5) Measured with no load applied to the input shaft at 2,000 rpm

*6) Weight may vary slightly between models

EJS 060 1-Stage Specifications

Frame Size	060					
Stage	1-Stage					
Ratio	--	5	7.5	10	15	20
Nominal Output Torque	[Nm]	123	154	172	188	175
Maximum Acceleration Torque	[Nm]	170	212	227	235	276
Emergency Stop Torque	[Nm]	246	308	344	376	350
No Load Running Torque *1	[Nm]	0.79				
Nominal Input Speed	[rpm]	2,000				
Maximum Continuous Input Speed	[rpm]	3,000				
Maximum Cyclic Input Speed	[rpm]	3,000				
Maximum Radial Load *2	[N]	8,010				
Maximum Axial Load *3	[N]	8,010				
Moment of Inertia ($\leq \varnothing 19$)	[kgcm ²]	3.48	2.77	2.52	2.35	2.28
Efficiency *4	[%]	92	91	90	88	85
Torsional Rigidity	[Nm/arcmin]	17.7				
Maximum Torsional Backlash (Standard)	[Arc-min]	≤ 13				
Maximum Torsional Backlash (Low)	[Arc-min]	≤ 5				
Noise Level *5	[dB]	≤ 80				
Weight *6	[kg]	21				
Ambient Temperature	[°C]	-23 ~ 93				
Permitted Housing Temperature	[°C]	100				
Service Life	[Hours]	20,000				
Protection Class	--	IP 69K				
Lubrication	--	Synthetic Food Grade Oil				
Mounting Position	--	Any				

*1) Torque at no load applied to the input shaft at 2,000 rpm

*2) The maximum radial load the gearbox can accept

*3) The maximum axial load the gearbox can accept

*4) The efficiency at the nominal output torque rating

*5) Measured with no load applied to the input shaft at 2,000 rpm

*6) Weight may vary slightly between models

EJS 060 1-Stage Specifications

Frame Size	060					
Stage	1-Stage					
Ratio	--	25	30	40	50	60
Nominal Output Torque	[Nm]	172	175	173	174	173
Maximum Acceleration Torque	[Nm]	230	229	232	243	225
Emergency Stop Torque	[Nm]	344	350	346	348	346
No Load Running Torque *1	[Nm]	0.79				
Nominal Input Speed	[rpm]	2,000				
Maximum Continuous Input Speed	[rpm]	3,000				
Maximum Cyclic Input Speed	[rpm]	3,000				
Maximum Radial Load *2	[N]	8,010				
Maximum Axial Load *3	[N]	8,010				
Moment of Inertia (≤ Ø19)	[kgcm ²]	2.26	2.24	2.22	2.22	2.21
Efficiency *4	[%]	84	80	76	73	70
Torsional Rigidity	[Nm/arcmin]	17.7				
Maximum Torsional Backlash (Standard)	[Arc-min]	≤ 13				
Maximum Torsional Backlash (Low)	[Arc-min]	≤ 5				
Noise Level *5	[dB]	≤ 80				
Weight *6	[kg]	21				
Ambient Temperature	[°C]	-23 ~ 93				
Permitted Housing Temperature	[°C]	100				
Service Life	[Hours]	20,000				
Protection Class	--	IP 69K				
Lubrication	--	Synthetic Food Grade Oil				
Mounting Position	--	Any				

*1) Torque at no load applied to the input shaft at 2,000 rpm

*2) The maximum radial load the gearbox can accept

*3) The maximum axial load the gearbox can accept

*4) The efficiency at the nominal output torque rating

*5) Measured with no load applied to the input shaft at 2,000 rpm

*6) Weight may vary slightly between models

EJS 076 1-Stage Specifications

Frame Size	076					
Stage	1-Stage					
Ratio	--	5	7.5	10	15	20
Nominal Output Torque	[Nm]	237	300	345	385	381
Maximum Acceleration Torque	[Nm]	330	420	476	517	502
Emergency Stop Torque	[Nm]	474	600	690	770	762
No Load Running Torque *1	[Nm]	1.24				
Nominal Input Speed	[rpm]	2,000				
Maximum Continuous Input Speed	[rpm]	3,000				
Maximum Cyclic Input Speed	[rpm]	3,000				
Maximum Radial Load *2	[N]	10,235				
Maximum Axial Load *3	[N]	10,235				
Moment of Inertia ($\leq \varnothing 19$)	[kgcm ²]	13.98	10.74	9.6	8.79	8.51
Efficiency *4	[%]	92	91	90	88	85
Torsional Rigidity	[Nm/arcmin]	41.6				
Maximum Torsional Backlash (Standard)	[Arc-min]	≤ 10				
Maximum Torsional Backlash (Low)	[Arc-min]	≤ 4				
Noise Level *5	[dB]	≤ 83				
Weight *6	[kg]	41				
Ambient Temperature	[°C]	-23 ~ 93				
Permitted Housing Temperature	[°C]	100				
Service Life	[Hours]	20,000				
Protection Class	--	IP 69K				
Lubrication	--	Synthetic Food Grade Oil				
Mounting Position	--	Any				

*1) Torque at no load applied to the input shaft at 2,000 rpm

*2) The maximum radial load the gearbox can accept

*3) The maximum axial load the gearbox can accept

*4) The efficiency at the nominal output torque rating

*5) Measured with no load applied to the input shaft at 2,000 rpm

*6) Weight may vary slightly between models

EJS 076 1-Stage Specifications

Frame Size	076					
Stage	1-Stage					
Ratio	--	25	30	40	50	60
Nominal Output Torque	[Nm]	396	393	375	361	347
Maximum Acceleration Torque	[Nm]	519	535	511	493	473
Emergency Stop Torque	[Nm]	792	786	750	722	694
No Load Running Torque *1	[Nm]	1.24				
Nominal Input Speed	[rpm]	2,000				
Maximum Continuous Input Speed	[rpm]	3,000				
Maximum Cyclic Input Speed	[rpm]	3,000				
Maximum Radial Load *2	[N]	10,235				
Maximum Axial Load *3	[N]	10,235				
Moment of Inertia (≤ Ø19)	[kgcm ²]	8.38	8.31	8.23	8.20	8.18
Efficiency *4	[%]	84	80	76	73	70
Torsional Rigidity	[Nm/arcmin]	41.6				
Maximum Torsional Backlash (Standard)	[Arc-min]	≤ 10				
Maximum Torsional Backlash (Low)	[Arc-min]	≤ 4				
Noise Level *5	[dB]	≤ 83				
Weight *6	[kg]	41				
Ambient Temperature	[°C]	-23 ~ 93				
Permitted Housing Temperature	[°C]	100				
Service Life	[Hours]	20,000				
Protection Class	--	IP 69K				
Lubrication	--	Synthetic Food Grade Oil				
Mounting Position	--	Any				

*1) Torque at no load applied to the input shaft at 2,000 rpm

*2) The maximum radial load the gearbox can accept

*3) The maximum axial load the gearbox can accept

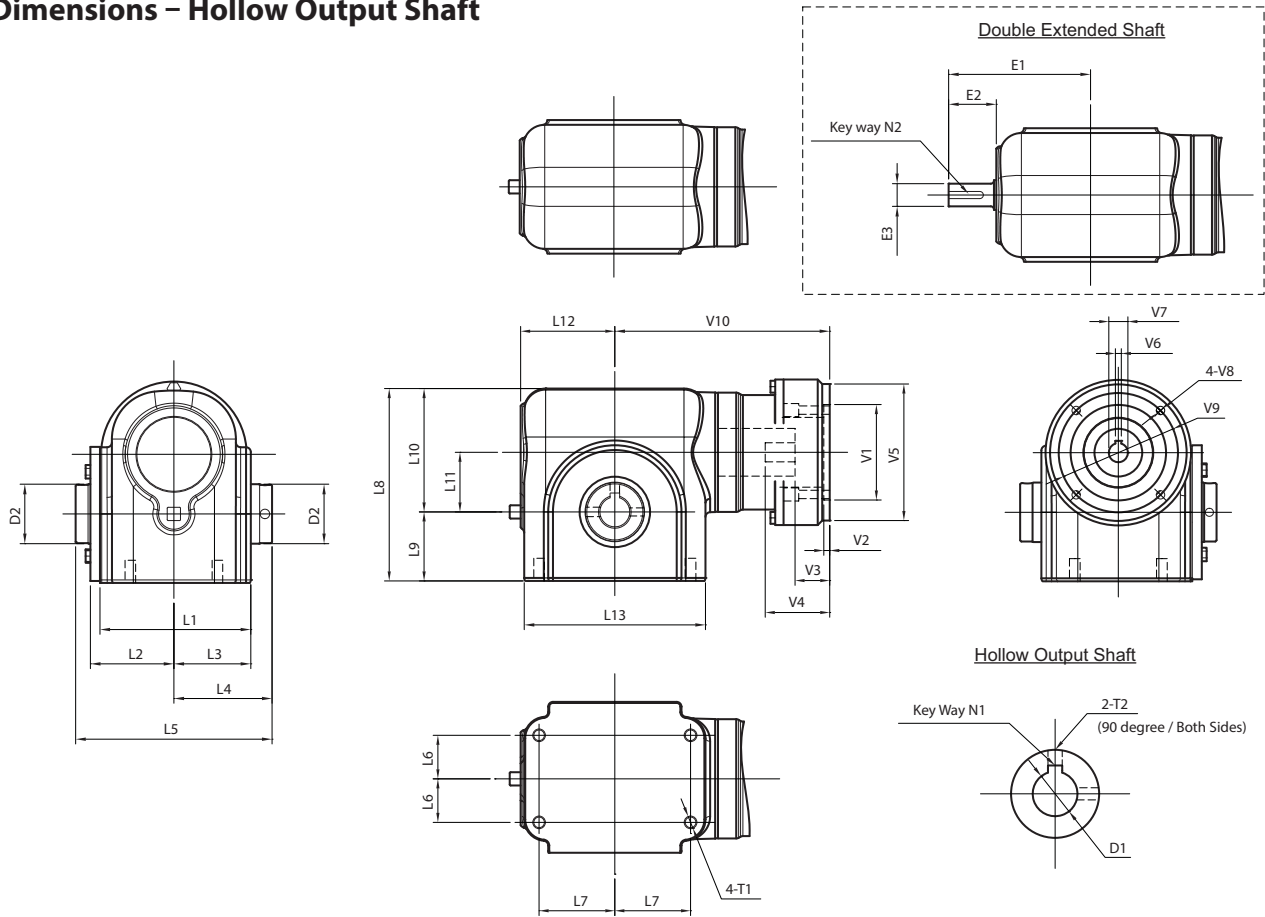
*4) The efficiency at the nominal output torque rating

*5) Measured with no load applied to the input shaft at 2,000 rpm

*6) Weight may vary slightly between models

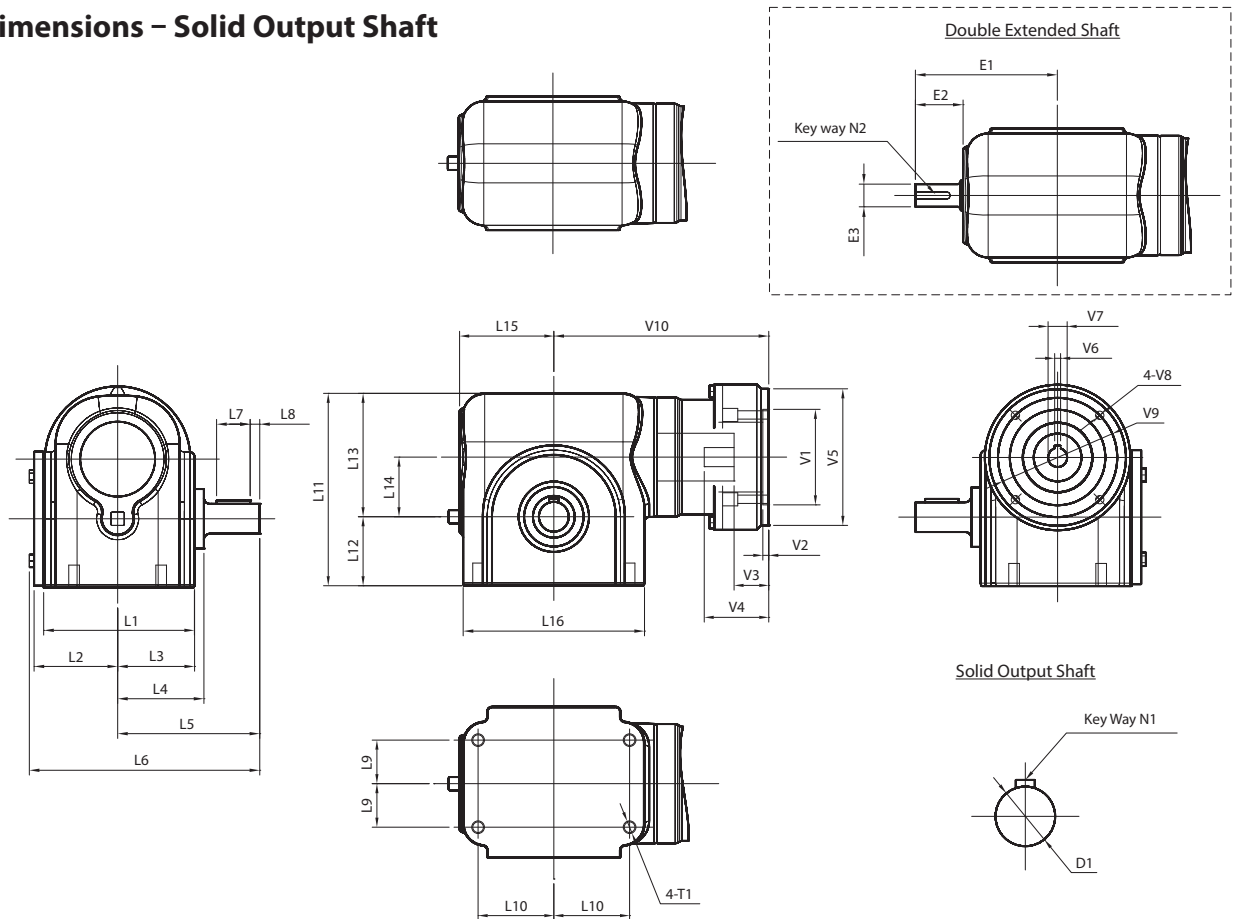
EJS SERIES Right-angle Worm

EJS Dimensions – Hollow Output Shaft



Frame Size	Unit	EJS39	EJS44	EJS50	EJS60	EJS76
L1	[mm]	116.6	121.7	126.5	132.6	172.5
L2	[mm]	65.0	67.6	70.1	72.9	95.0
L3	[mm]	59.4	62.2	64.5	67.6	87.4
L4	[mm]	77.2	79.8	82.3	85.3	109.7
L5	[mm]	154.7	159.8	164.6	170.7	219.5
L6	[mm]	34.9	34.9	36.4	36.4	50.8
L7	[mm]	53.1	53.1	63.5	63.5	88.9
L8	[mm]	138.4	148.3	161.3	177.3	229.6
L9	[mm]	48.5	52.3	57.9	64.0	82.6
L10	[mm]	89.9	96.0	103.4	113.3	147.1
L11	[mm]	39.1	44.5	50.0	59.7	76.2
L12	[mm]	72.4	78.0	79.0	87.4	115.6
L13	[mm]	140.0	151.9	151.9	156.0	210.1
D1	[mm]	φ19	φ20	φ25	φ28	φ35
D2	[mm]	φ40	φ45	φ50	φ55	φ75
Key way N1	[mm]	6.0x3.0	6.0x3.0	8.0x4.0	8.0x4.0	10x4.4
T1	[mm]	M8x12	M8x12	M10x15	M10x15	M12x19.5
T2	[mm]	5/16-24	5/16-24	5/16-24	5/16-24	5/16-24
E1	[mm]	117.1	123.4	126.5	134.1	193.8
E2	[mm]	44.7	45.5	47.5	46.7	78.2
E3	[Inch]	0.75	0.75	0.75	0.75	1.19
Key way N2	[Inch]	3/16x3/32	3/16x3/32	3/16x3/32	3/16x3/32	1/8x1/4
V1 ~ V10	Motor attachment dimensions are made to fit your servo motor.					

EJS Dimensions – Solid Output Shaft

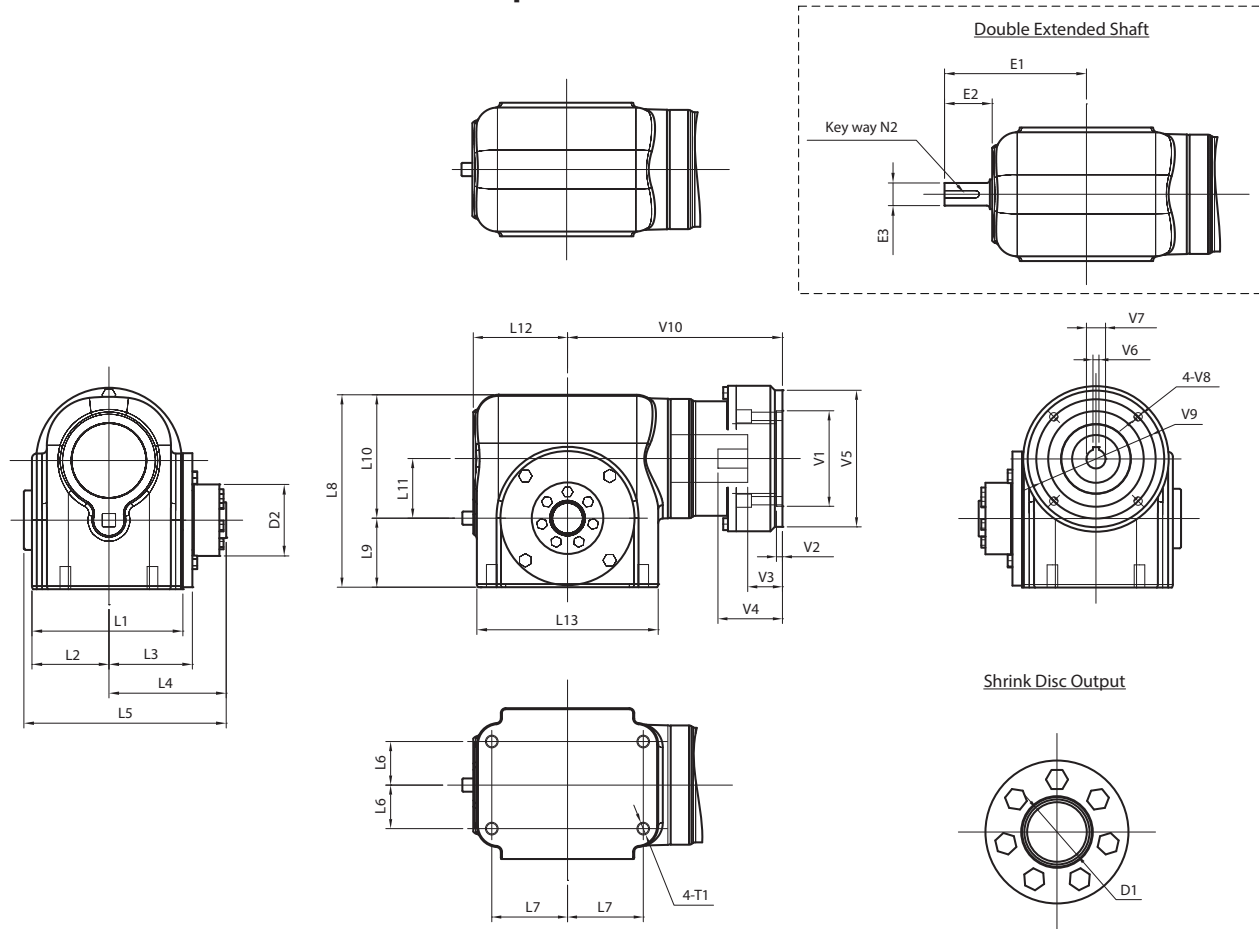


Frame Size	Unit	EJS39	EJS44	EJS50	EJS60	EJS76
L1	[mm]	116.6	121.7	126.5	132.6	172.5
L2	[mm]	65.0	67.6	70.1	72.9	95.0
L3	[mm]	59.4	62.2	64.5	67.6	87.4
L4	[mm]	67.3	69.9	72.4	69.6	100.1
L5	[mm]	109.5	109.5	119.1	129.3	174.0
L6	[mm]	178.6	181.1	193.3	206.2	274.3
L7	[mm]	22	22	28	32	40
L8	[mm]	7	7	8	8	10
L9	[mm]	34.9	34.9	36.4	36.4	50.8
L10	[mm]	53.2	53.2	63.5	63.5	88.9
L11	[mm]	138.4	148.3	161.3	177.3	229.6
L12	[mm]	48.5	52.3	57.9	64.0	82.6
L13	[mm]	89.9	96.0	103.4	113.3	147.1
L14	[mm]	39.1	44.5	50.0	59.7	76.2
L15	[mm]	72.4	78.0	79.0	87.4	115.6
L16	[mm]	140.0	151.9	151.9	156.0	210.1
D1	[mm]	φ18	φ20	φ25	φ28	φ35
Key way N1	[mm]	6.0x3.0	6.0x3.0	8.0x4.0	8.0x4.0	10x4.4
T1	[mm]	M8x12	M8x12	M10x15	M10x15	M12x19.5
E1	[mm]	117.1	123.4	126.5	134.1	193.8
E2	[mm]	44.7	45.5	47.5	46.7	78.2
E3	[mm]	0.75	0.75	0.75	0.75	1.19
Key way N2	[Inch]	3/16x3/32	3/16x3/32	3/16x3/32	3/16x3/32	1/8x1/4
V1 ~ V10	Motor attachment dimensions are made to fit your servo motor.					

EJS

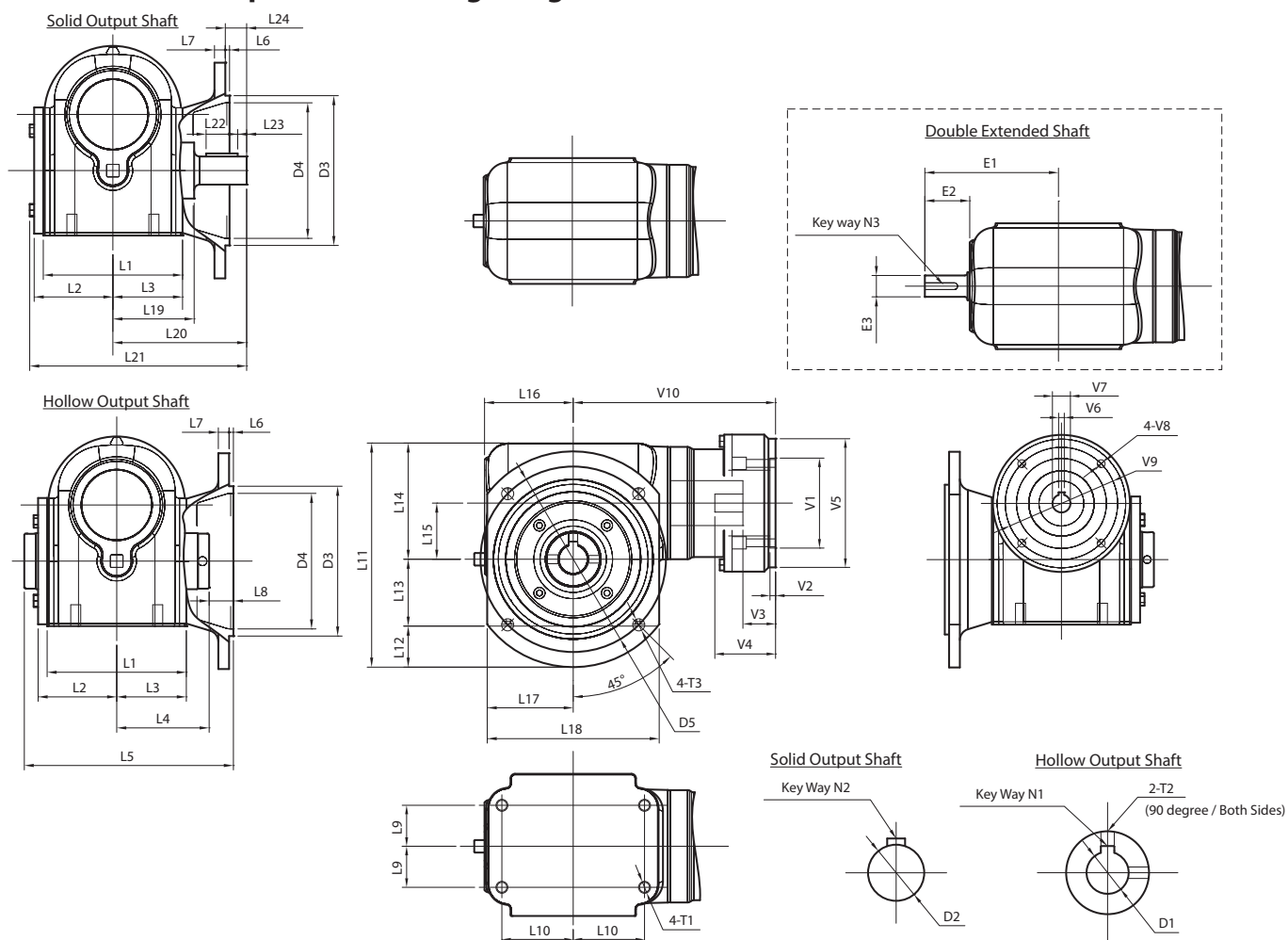
EJS SERIES Right-angle Worm

EJS Dimensions – Shrink Disc Hollow Output Shaft



Frame Size	Units	EJS39	EJS44	EJS50	EJS60	EJS76
L1	[mm]	116.6	121.7	126.5	132.6	172.5
L2	[mm]	65.0	67.6	70.1	72.9	95.0
L3	[mm]	59.4	62.2	64.5	67.6	87.4
L4	[mm]	93.2	95.8	98.3	102.9	128.5
L5	[mm]	159.5	164.6	169.7	177.3	226.1
L6	[mm]	34.9	34.9	36.4	36.4	50.8
L7	[mm]	53.2	53.2	63.5	63.5	88.9
L8	[mm]	138.4	148.3	161.3	177.3	229.6
L9	[mm]	48.5	52.3	57.9	64.0	82.6
L10	[mm]	89.9	96.0	103.4	113.3	147.1
L11	[mm]	39.1	44.5	50.0	59.7	76.2
L12	[mm]	72.4	78.0	79.0	87.4	115.6
L13	[mm]	140.0	151.9	151.9	156.0	210.1
D1	[mm]	φ25/φ25.008	φ25/φ25.008	φ25/φ25.008	φ30/φ30.008	φ35.002/φ35.018
D2	[mm]	φ60	φ60	φ60	φ72	φ80
T1	[mm]	M8x12	M8x12	M10x15	M10x15	M12x19.5
E1	[mm]	117.1	123.4	126.5	134.1	193.8
E2	[mm]	44.7	45.5	47.5	46.7	78.2
E3	[mm]	0.75	0.75	0.75	0.75	1.19
Key way N2	[Inch]	3/16x3/32	3/16x3/32	3/16x3/32	3/16x3/32	1/8x1/4
V1 ~ V10	Motor attachment dimensions are made to fit your servo motor.					

EJS Dimensions – Optional Mounting Flange

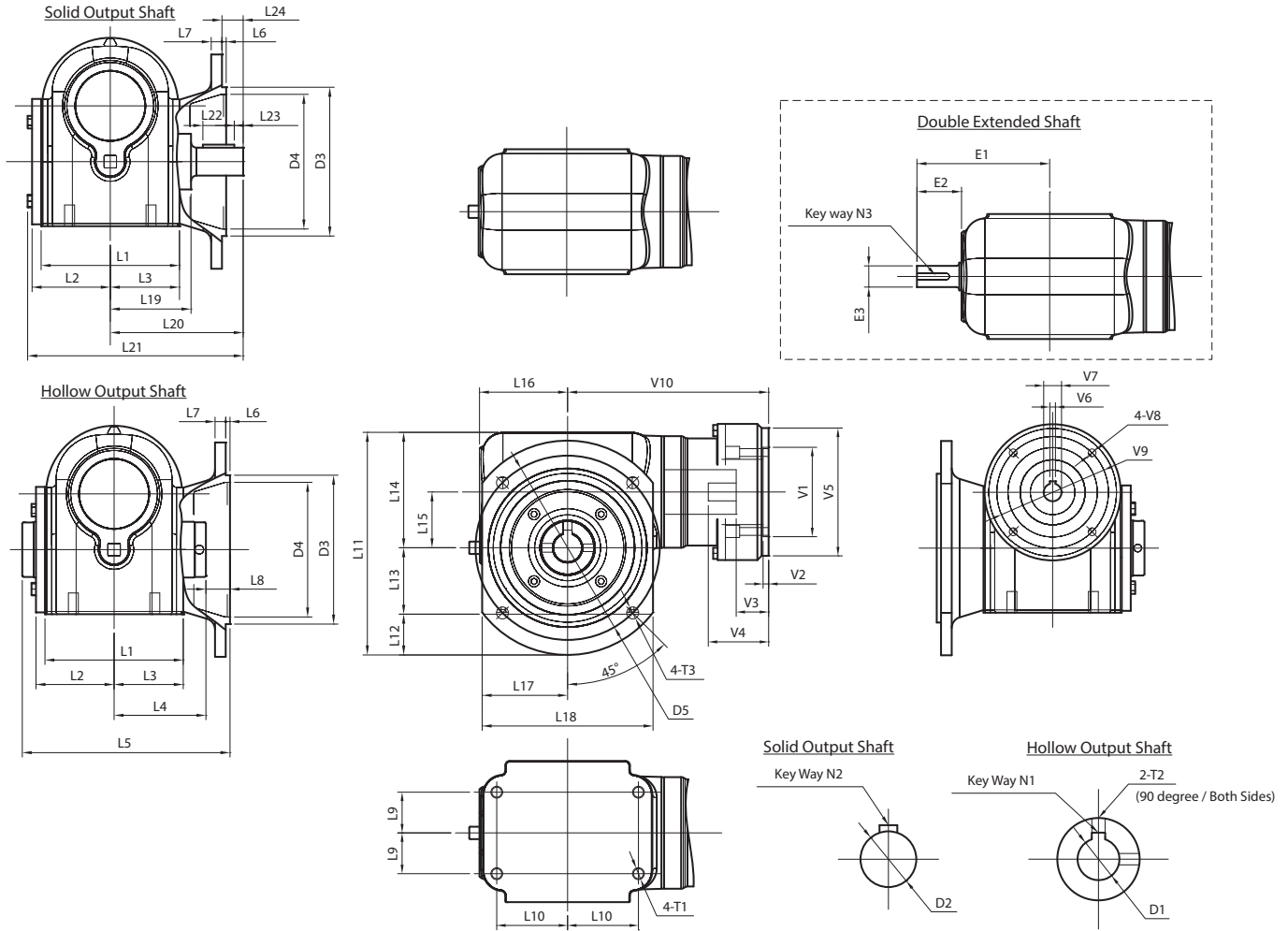


Frame Size	Units	EJS39	EJS44	EJS50	EJS60	EJS76
L1	[mm]	116.6	121.7	126.5	132.6	172.5
L2	[mm]	65.0	67.6	70.1	72.9	95.0
L3	[mm]	59.4	62.2	64.5	67.6	87.4
L4	[mm]	77.2	79.8	82.3	85.3	109.7
L5	[mm]	170	176	186	202	253
L6	[mm]	3.8	3.8	3.8	3.8	3.8
L7	[mm]	9.7	9.7	9.7	9.7	9.7
L8	[mm]	15.7	16.0	21.6	31.5	33.8
L9	[mm]	34.9	34.9	36.4	36.4	50.8
L10	[mm]	53.2	53.2	63.5	63.5	88.9
L11	[mm]	176.3	184.2	199.4	230.6	290.3
L12	[mm]	39.6	35.8	38.1	51.8	60.7
L13	[mm]	48.5	52.3	57.9	64.0	82.6
L14	[mm]	88.1	96	103.4	115.3	147
L15	[mm]	39.1	44	50.0	59.7	76
L16	[mm]	72.4	78	79.0	87.4	116
L17	[mm]	70	70	76.7	92.5	112
L18	[mm]	140.5	140.5	153.2	185.2	223.3
L19	[mm]	67.3	69.9	72.4	69.6	100.1
L20	[mm]	109.5	109.5	119.1	129.3	174.0

Note: Continue Frame Sizes for Optional Mounting Flange on the next page

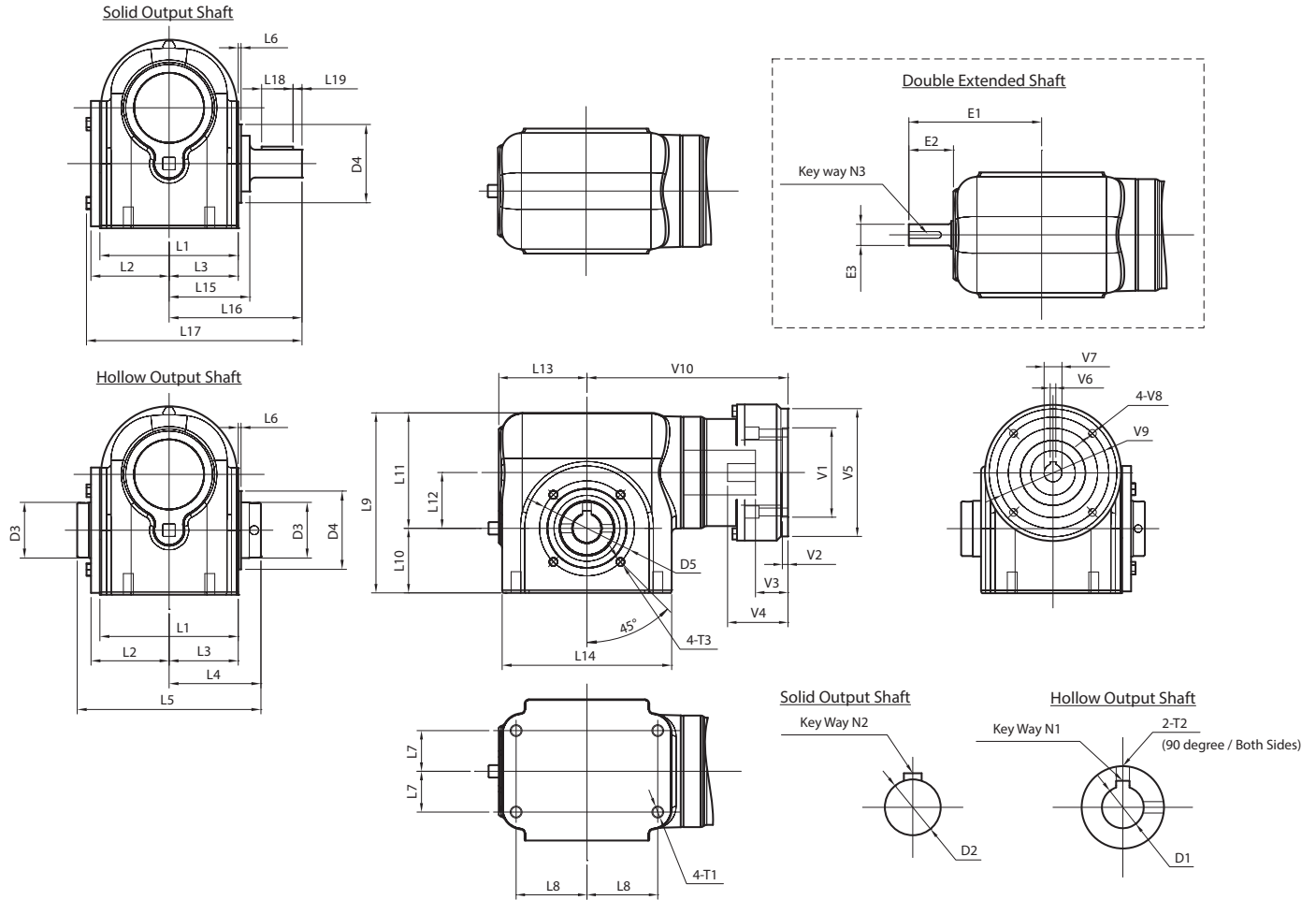
EJS SERIES Right-angle Worm

EJS Dimensions – Optional Mounting Flange



Frame Size	Units	EJS39	EJS44	EJS50	EJS60	EJS76
L21	[mm]	178.6	181.1	193.3	206.2	274.3
L22	[mm]	22	22	28	32	40
L23	[mm]	7	7	8	8	10
L24	[mm]	20.1	17.5	19.1	16.3	34.3
T1	[mm]	M8x12	M8x12	M10x15	M10x15	M12x19.5
D1	[mm]	φ19	φ20	φ25	φ28	φ35
Key way N1	[mm]	6.0x3.0	6.0x3.0	8.0x4.0	8.0x4.0	10x4.4
T2	[mm]	5/16-24	5/16-24	5/16-24	5/16-24	5/16-24
D2	[mm]	φ18	φ20	φ25	φ28	φ35
Key way N2	[mm]	6.0x3.0	6.0x3.0	8.0x4.0	8.0x4.0	10x4.4
D3	[mm]	φ114.3	φ114.3	φ133.4	φ165.1	φ203.2
D4	[mm]	φ103.1	φ103.1	φ120.7	φ142.7	φ182.6
D5	[mm]	φ149.35	φ149.35	φ165.1	φ203.2	φ254
T3	[mm]	9.2	9.2	9.2	9.2	9.2
E1	[mm]	117.1	123.4	126.5	134.1	193.8
E2	[mm]	44.7	45.5	47.5	46.7	78.2
E3	[mm]	0.75	0.75	0.75	0.75	1.19
Key way N3	[Inch]	3/16x3/32	3/16x3/32	3/16x3/32	3/16x3/32	1/8x1/4
V1 ~ V10	Motor attachment dimensions are made to fit your servo motor.					

EJS Dimensions – Side Mount (w/o Flange Mounting)



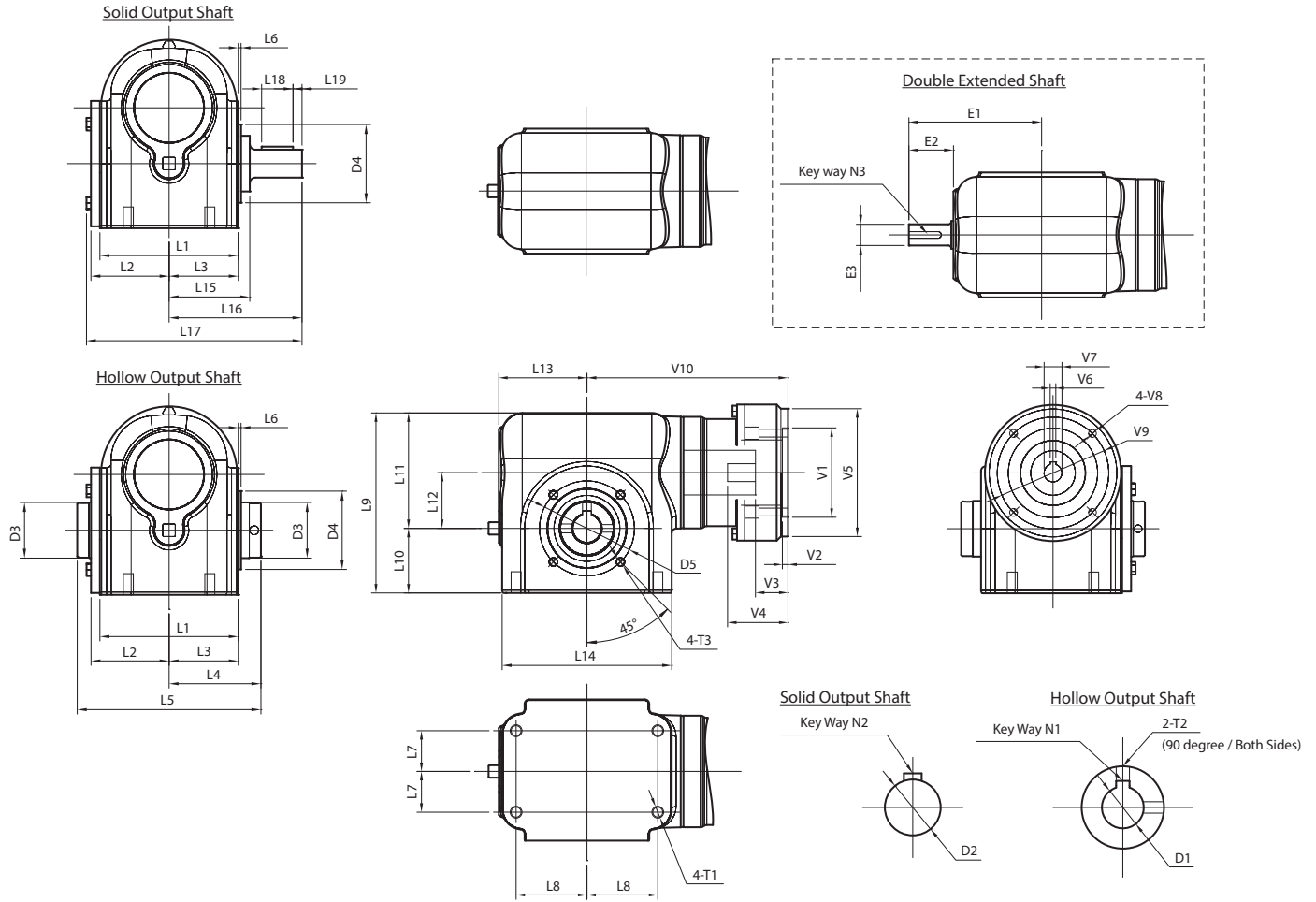
EJS

Frame Size	Units	EJS39	EJS44	EJS50	EJS60	EJS76
L1	[mm]	116.6	121.7	126.5	132.6	172.5
L2	[mm]	65.0	67.6	70.1	72.9	95.0
L3	[mm]	59.4	62.2	64.5	67.6	87.4
L4	[mm]	77.2	79.8	82.3	85.3	109.7
L5	[mm]	154.7	159.8	164.6	170.7	219.5
L6	[mm]	2.5	2.5	2.5	2.5	2.5
L7	[mm]	34.9	34.9	36.4	36.4	50.8
L8	[mm]	53.2	53.2	63.5	63.5	88.9
L9	[mm]	138.4	148.3	161.3	177.3	229.6
L10	[mm]	48.5	52.3	57.9	64.0	82.6
L11	[mm]	89.9	96.0	103.4	113.3	147.1
L12	[mm]	39.1	44.5	50.0	59.7	76.2
L13	[mm]	72.4	78.0	79.0	87.4	115.6
L14	[mm]	140.0	151.9	151.9	156.0	210.1
L15	[mm]	67.3	69.9	72.4	69.6	100.1
L16	[mm]	109.5	109.5	119.1	129.3	174.0
L17	[mm]	178.6	181.1	193.3	206.2	274.3

Note: Continue Frame Sizes for Side Mount (w/o Flange Mounting) on the next page

EJS SERIES Right-angle Worm

EJS Dimensions – Side Mount (w/o Flange Mounting)



Frame Size	Units	EJS39	EJS44	EJS50	EJS60	EJS76
L18	[Inch]	22	22	28	32	40
L19	[mm]	7	7	8	8	10
T1	[mm]	M8x12	M8x12	M10x15	M10x15	M12x19.5
D1	[mm]	φ19	φ20	φ25	φ28	φ35
Key way N1	[mm]	6.0x3.0	6.0x3.0	8.0x4.0	8.0x4.0	10x4.4
T2	[mm]	5/16-24	5/16-24	5/16-24	5/16-24	5/16-24
D2	[mm]	φ18	φ20	φ25	φ28	φ35
Key way N2	[mm]	6.0x3.0	6.0x3.0	8.0x4.0	8.0x4.0	10x4.4
D3	[mm]	φ40	φ45	φ50	φ55	φ75
D4	[Inch]	φ60	φ70	φ70	φ80	φ110
D5	[mm]	φ75	φ85	φ85	φ95	φ130
T3	[mm]	M6x10	M8x12	M8x12	M8x12	M10x16
E1	[mm]	117.1	123.4	126.5	134.1	193.8
E2	[mm]	44.7	45.5	47.5	46.7	78.2
E3	[Inch]	0.75	0.75	0.75	0.75	1.19
Key way N3	[Inch]	3/16x3/32	3/16x3/32	3/16x3/32	3/16x3/32	1/8x1/4
V1 ~ V10	Motor attachment dimensions are made to fit your servo motor.					