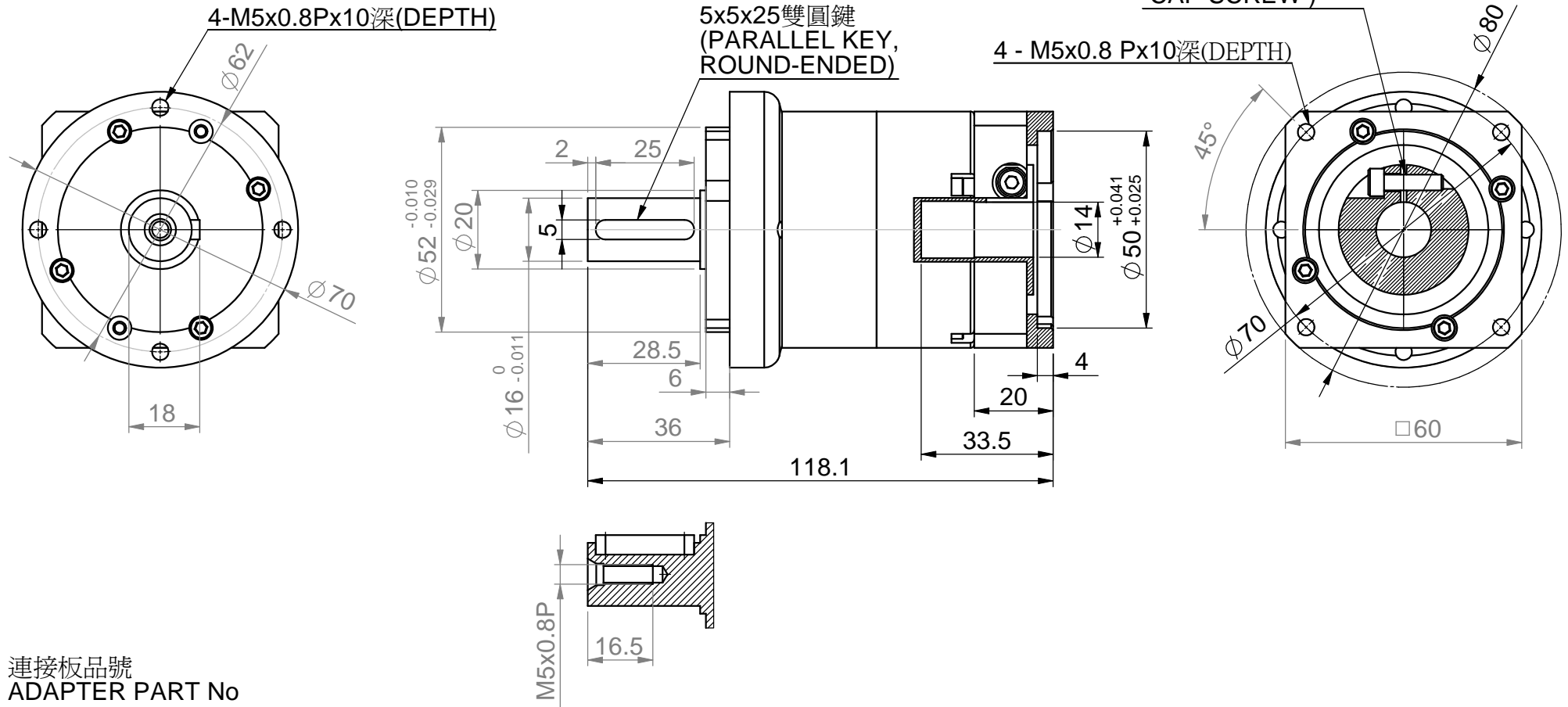


適用馬達尺寸 / COMPATIBLE MOTOR DIMENSIONS

A	B	C	D	E	F	H	L
≤14	50	≤32.5	≤3	70	5.1~6.0	55~65	≥C-3

※馬達出力軸小於14時,附襯套

BUSHING WILL BE SUPPLIED WHEN THE MOTOR SHAFT DIAMETER IS SMALLER THAN 14



M4x15L內六角螺絲
(SOCKET HEAD
CAP SCREW)

連接板品號
ADAPTER PART No
234BN22210

規格尺寸如有變更,恕不另行通知
SPECIFICATIONS ARE SUBJECT TO
CHANGE WITHOUT PRIOR NOTICE

單位 Unit	mm	機型 Model Name	PAC70 單段 PAC70 1 STAGE
投影法 Project		圖號 Drawing No.	2C2XS.050060.021



世協電機股份有限公司
SESAME MOTOR CORP.