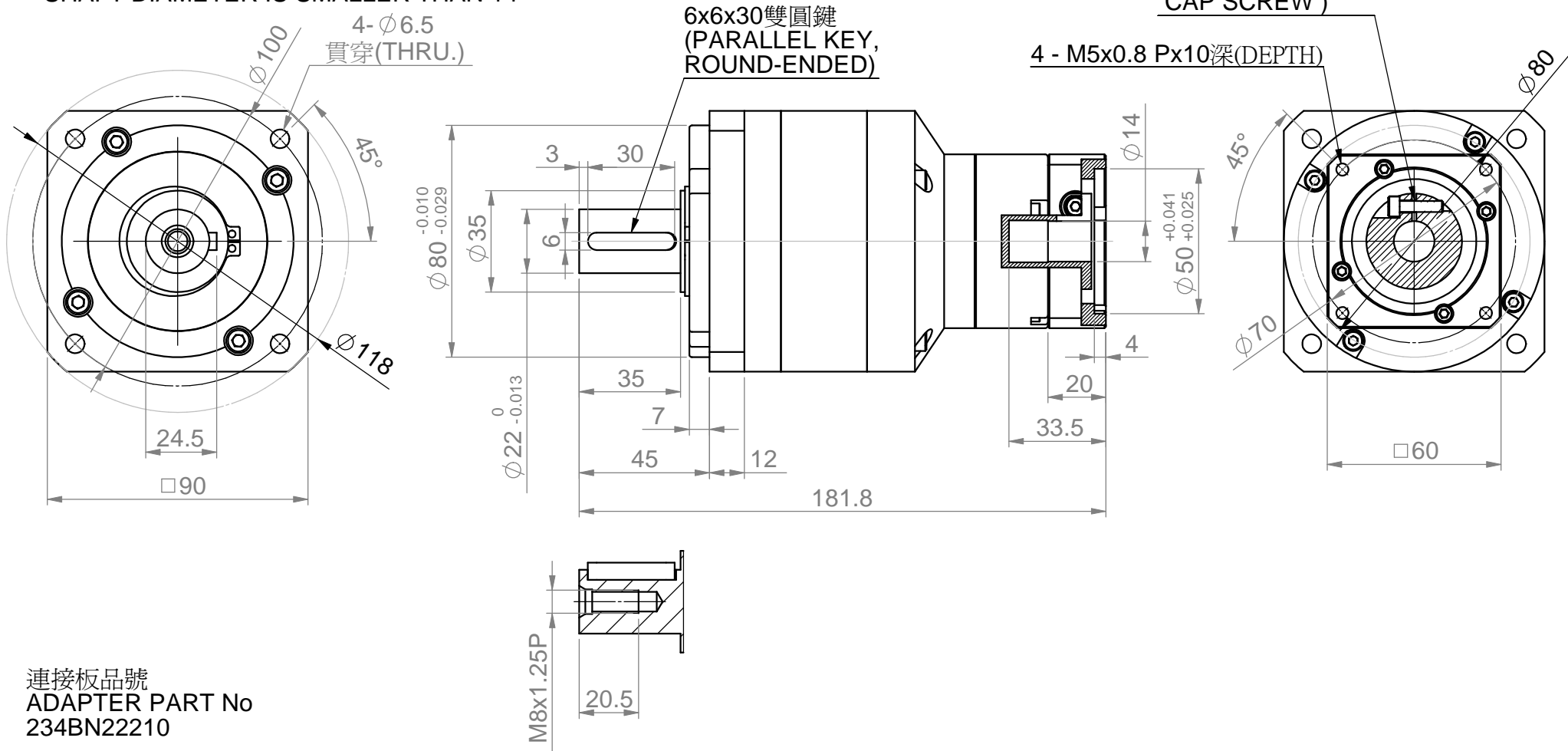


適用馬達尺寸 / COMPATIBLE MOTOR DIMENSIONS

A	B	C	D	E	F	H	L
≤14	50	≤32.5	≤3	70	5.1~6.0	55~65	≥C-3

※馬達出力軸小於時14,附襯套

BUSHING WILL BE SUPPLIED WHEN THE MOTOR SHAFT DIAMETER IS SMALLER THAN 14



連接板品號
ADAPTER PART No
234BN22210

規格尺寸如有變更，恕不另行通知
SPECIFICATIONS ARE SUBJECT TO
CHANGE WITHOUT PRIOR NOTICE

單位 Unit	mm	機型 Model Name	PBE90T 雙段 PBE90T 2 STAGE
投影法 Project		圖號 Drawing No.	2B3XT.050060.021

