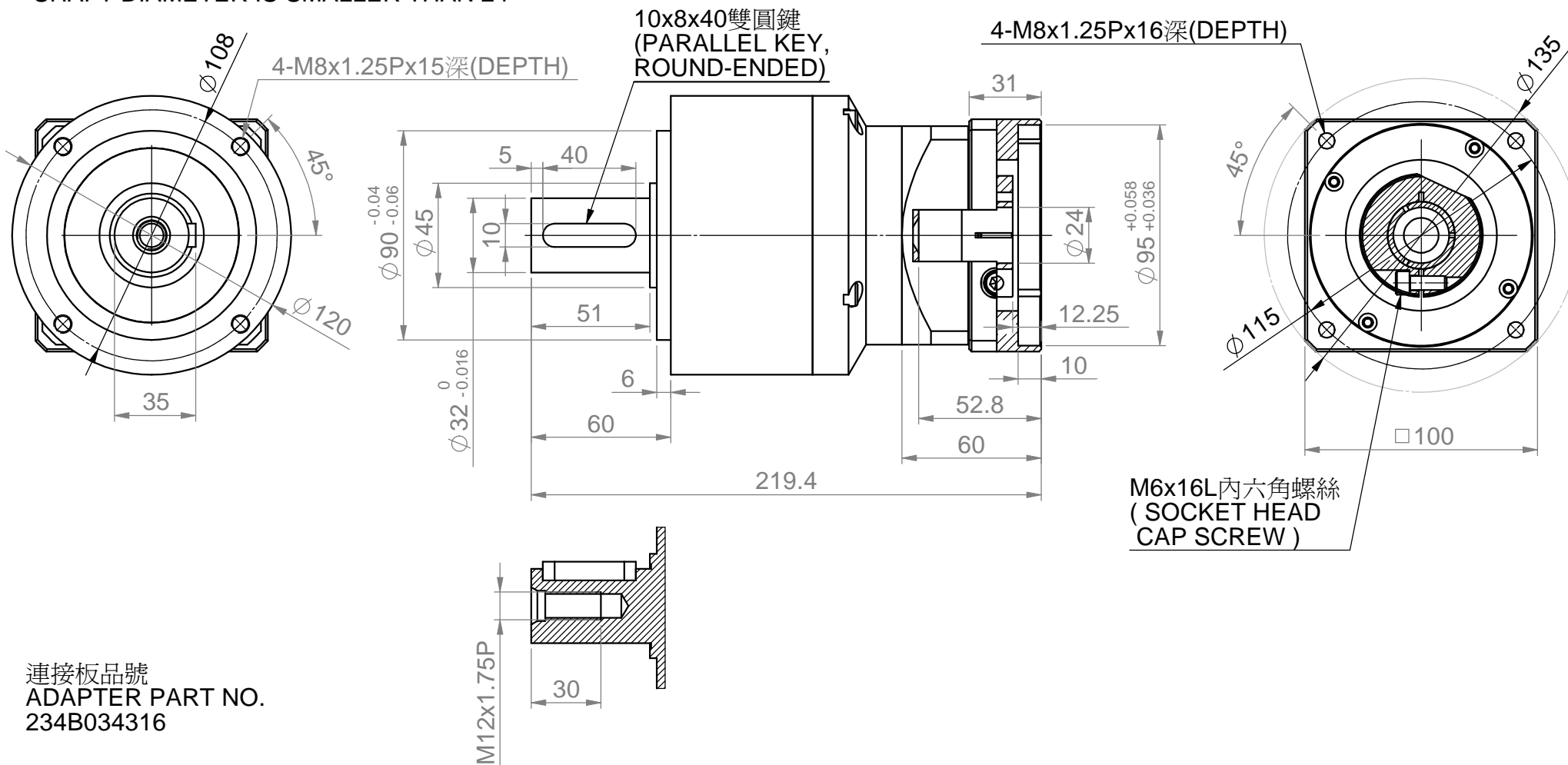


適用馬達尺寸 / COMPATIBLE MOTOR DIMENSIONS

A	B	C	D	E	F	H	L
≤24	95	≤51.8	≤9	115	8.1~10	90~110	≥C-10

※馬達出力軸小於24時,附襯套

BUSHING WILL BE SUPPLIED WHEN THE MOTOR SHAFT DIAMETER IS SMALLER THAN 24



連接板品號
ADAPTER PART NO.
234B034316

規格尺寸如有變更,恕不另行通知
SPECIFICATIONS ARE SUBJECT TO
CHANGE WITHOUT PRIOR NOTICE

單位 Unit	mm	機型 Model Name	PGC/PEC120T 雙段 PGC/PEC120T 2 STAGE
投影法 Project		圖號 Drawing No.	3C4XT.095100.042



世協電機股份有限公司
SESAME MOTOR CORP.