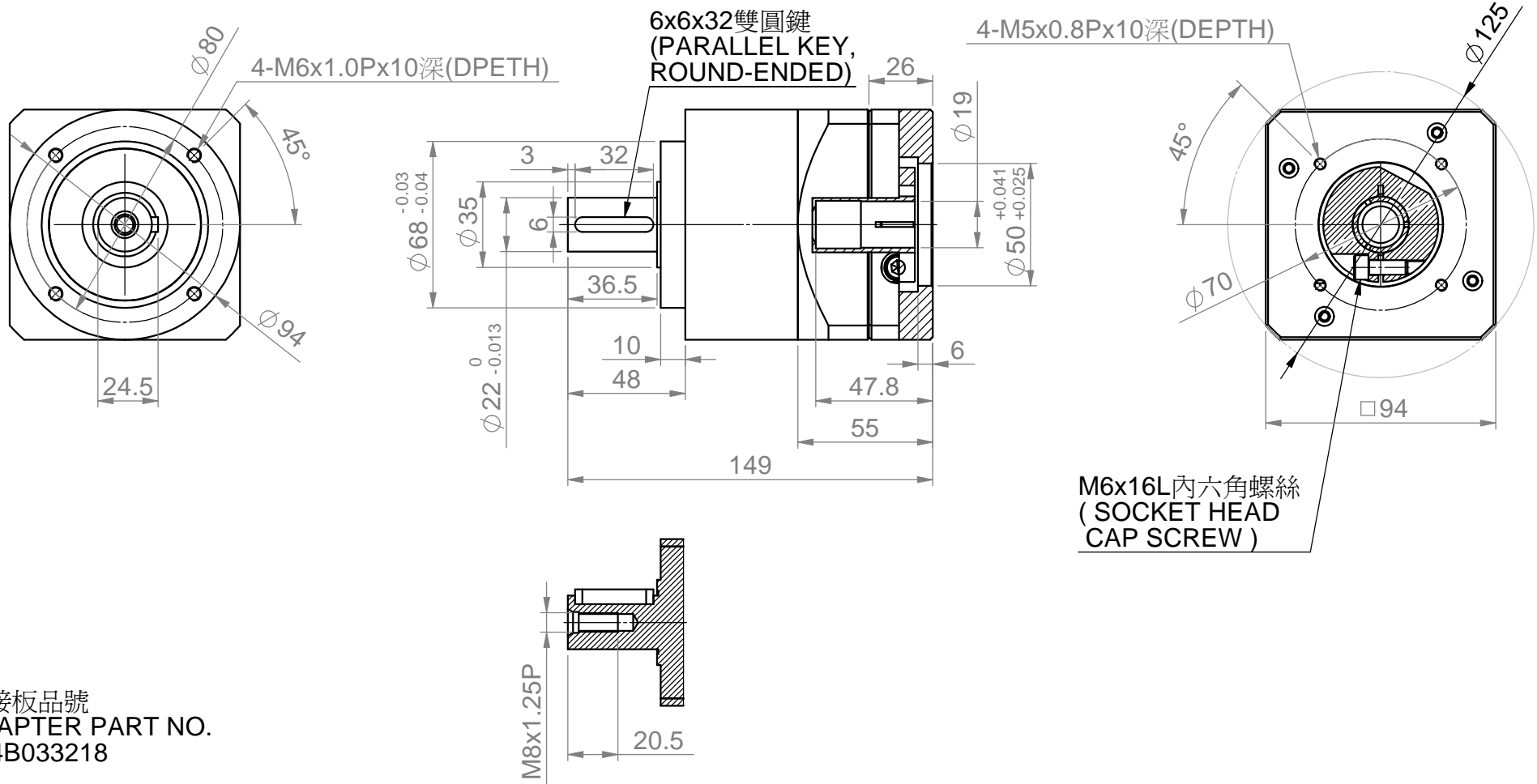


適用馬達尺寸 / COMPATIBLE MOTOR DIMENSIONS

A	B	C	D	E	F	H	L
≤19	50	≤46.8	≤5	70	5.1~6	70~90	≥C-5

※馬達出力軸小於19時,附襯套  
 BUSHING WILL BE SUPPLIED WHEN THE MOTOR  
 SHAFT DIAMETER IS SMALLER THAN 19



連接板品號  
 ADAPTER PART NO.  
 234B033218

規格尺寸如有變更,恕不另行通知  
 SPECIFICATIONS ARE SUBJECT TO  
 CHANGE WITHOUT PRIOR NOTICE

單位 Unit	mm	機型 Model Name	PGC/PEC90 單段 PGC/PEC90 1 STAGE
投影法 Project		圖號 Drawing No.	3C3XS.050094.021

