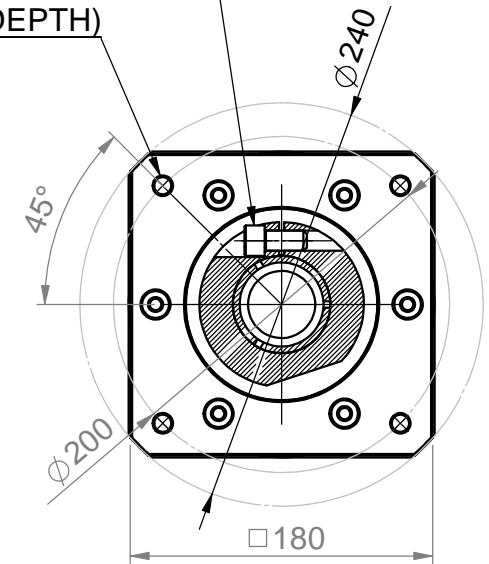
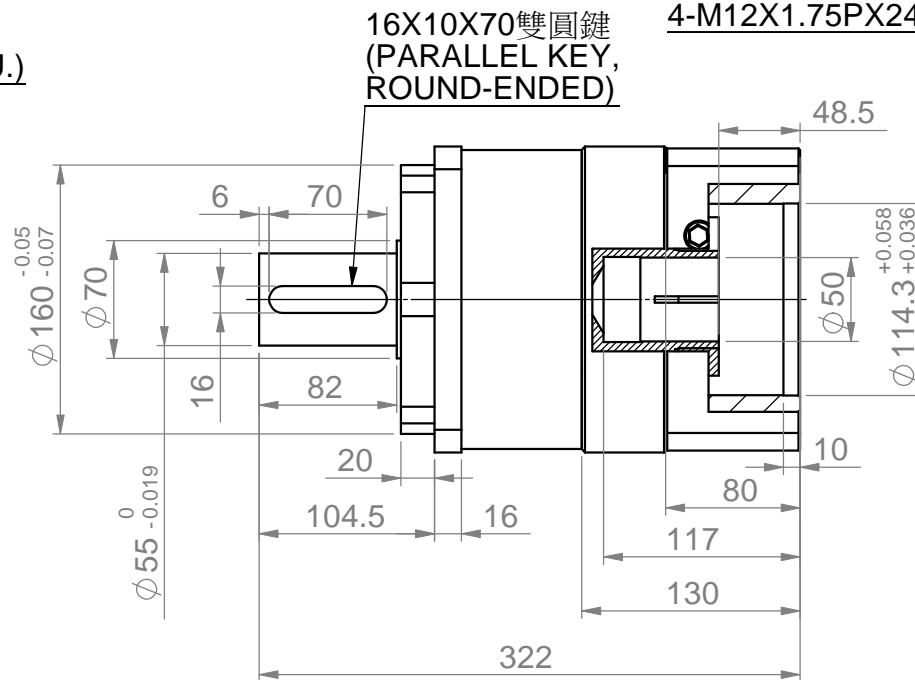
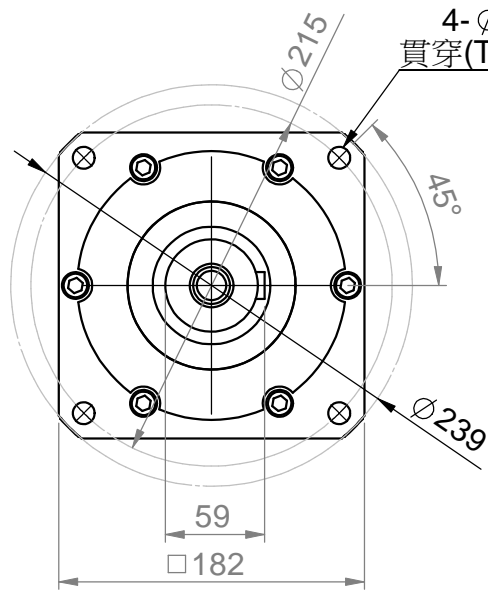


適用馬達尺寸 / COMPATIBLE MOTOR DIMENSIONS

A	B	C	D	E	F	H	L
≤50	114.3	≤116	≤9	200	12.1~14.0	170~190	≥C-9

※馬達出力軸小於50時,附襯套  
 BUSHING WILL BE SUPPLIED WHEN THE MOTOR  
 SHAFT DIAMETER IS SMALLER THAN 50

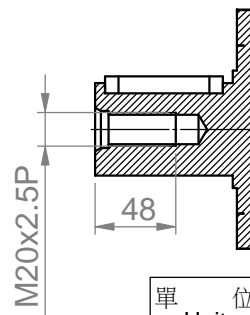


M12X25L內六角頭螺絲  
 (SOCKET HEAD  
 CAP SCREW)

16X10X70雙圓鍵  
 (PARALLEL KEY,  
 ROUND-ENDED)

4-M12X1.75PX24深(DEPTH)

連接板品號  
 ADAPTER PART No.  
 234B067810



規格尺寸如有變更,恕不另行通知  
 SPECIFICATIONS ARE SUBJECT TO  
 CHANGE WITHOUT PRIOR NOTICE

單位 Unit	mm	機型 Model Name	PGE/PEE 180 單段 PGE/PEE 180 1 STAGE
投影法 Project		圖號 Drawing No.	3D6XS.114180.069



世協電機股份有限公司  
 SESAME MOTOR CORP.