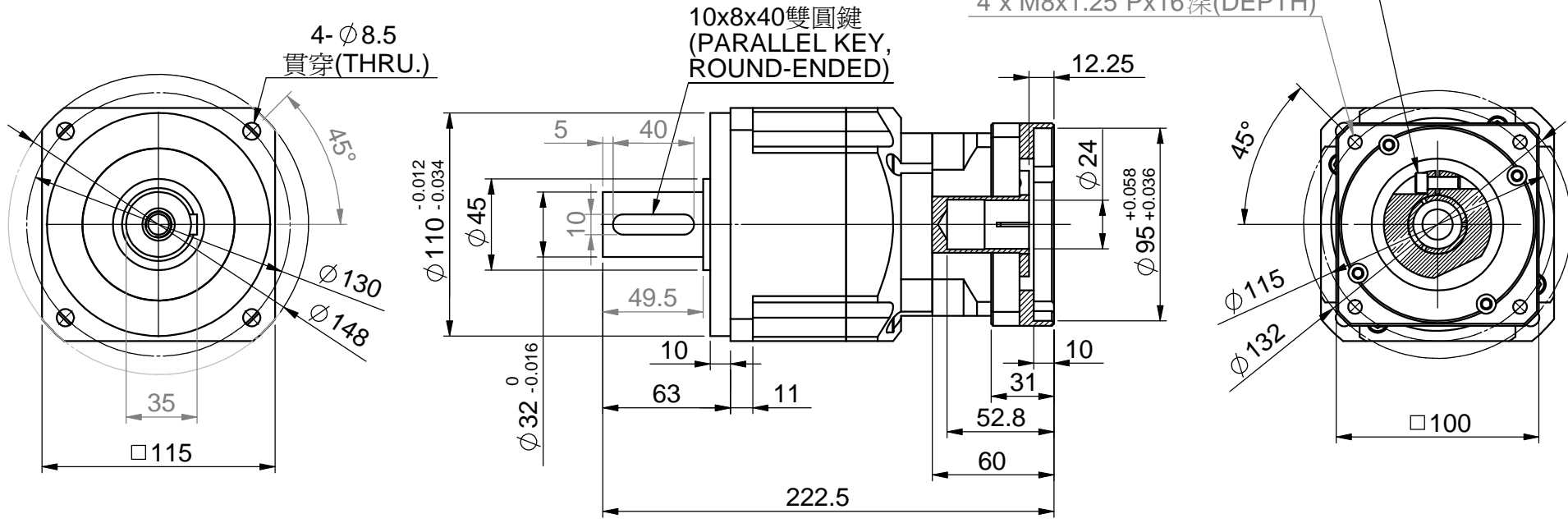


適用馬達尺寸 / COMPATIBLE MOTOR DIMENSIONS

A	B	C	D	E	F	H	L
≤24	95	≤51.8	≤9	115	8.1~10.0	90~110	≥C-10

※馬達出力軸小於24時,附襯套  
 BUSHING WILL BE SUPPLIED WHEN THE MOTOR  
 SHAFT DIAMETER IS SMALLER THAN 24

M6x16L內六角螺絲  
 ( SOCKET HEAD  
 CAP SCREW )



連接板品號  
 ADAPTER PART NO.  
 234BC34310

規格尺寸如有變更,恕不另行通知  
 SPECIFICATIONS ARE SUBJECT TO  
 CHANGE WITHOUT PRIOR NOTICE

單位 Unit	mm	機型 Model Name	PGH115T 雙段 PGH115T 2 STAGE
投影法 Project		圖號 Drawing No.	4A4YT.095100.042

