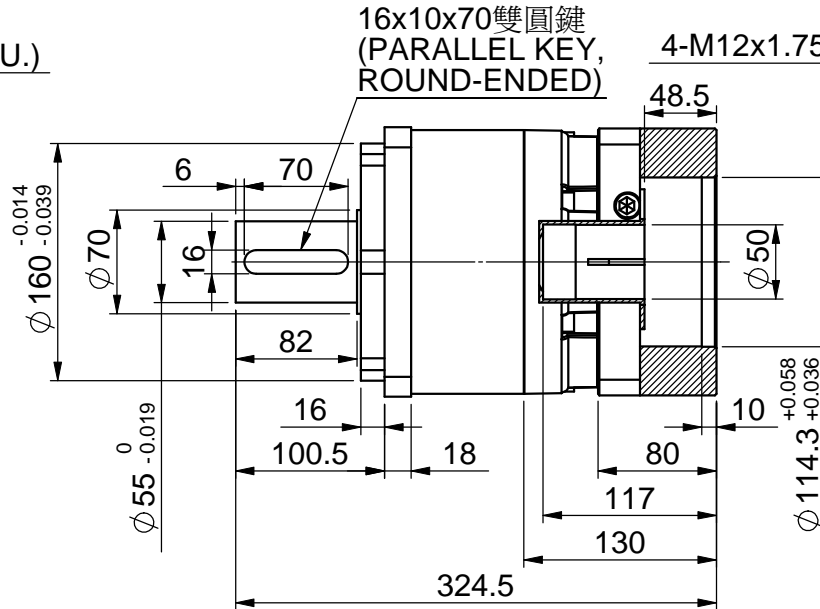
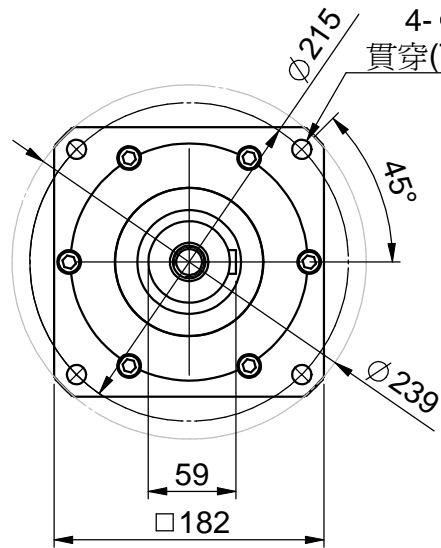


適用馬達尺寸 / COMPATIBLE MOTOR DIMENSIONS

A	B	C	D	E	F	H	L
≤50	114.3	≤116	≤9	200	12.1~14	170~190	≥C-46

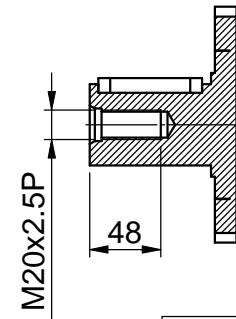
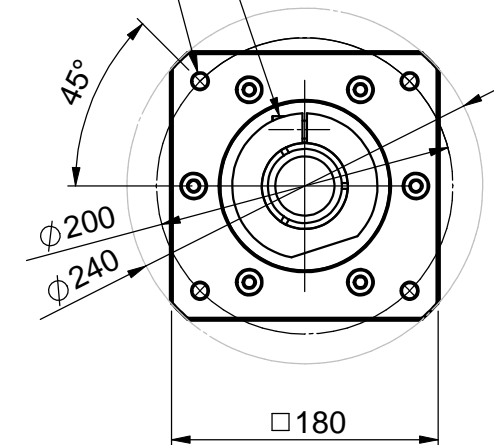
※馬達出力軸小於50時,附襯套

BUSHING WILL BE SUPPLIED WHEN THE MOTOR SHAFT DIAMETER IS SMALLER THAN 50



M12x25L內六角螺絲
(SOCKET HEAD
CAP SCREW)

4-M12x1.75Px24深(DEPTH)



連接板品號
ADAPTER PART NO.
234B067810

規格尺寸如有變更,恕不另行通知
SPECIFICATIONS ARE SUBJECT TO
CHANGE WITHOUT PRIOR NOTICE

單位 Unit	mm	機型 Model Name	PGH180 單段 PGH180 1 STAGE
投影法 Project		圖號 Drawing No.	4A6XS.114180.069



世協電機股份有限公司
SESAME MOTOR CORP.