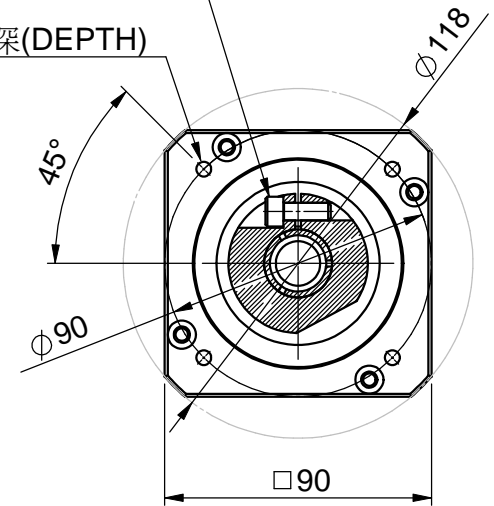
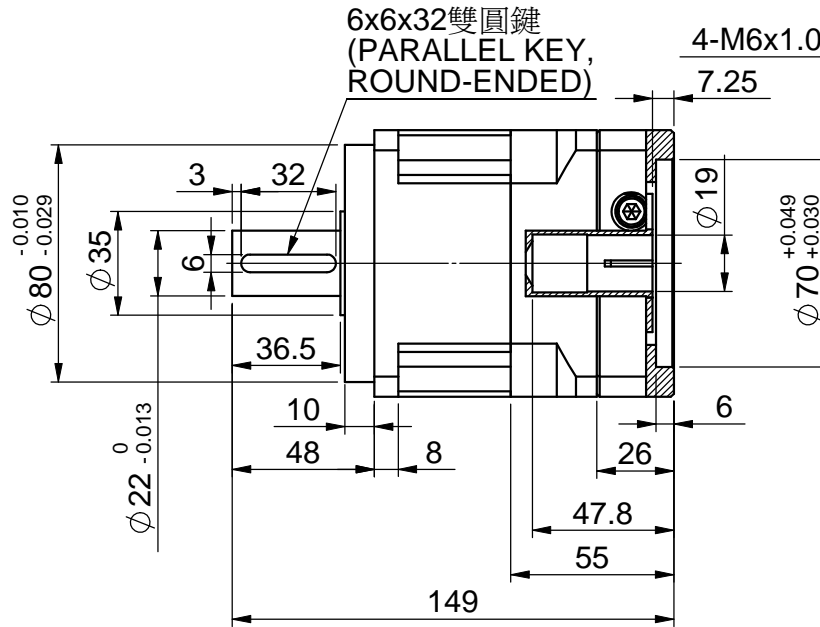
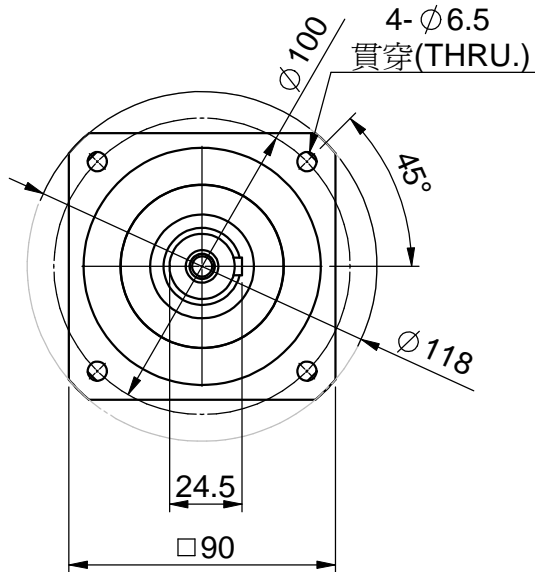


適用馬達尺寸 / COMPATIBLE MOTOR DIMENSIONS

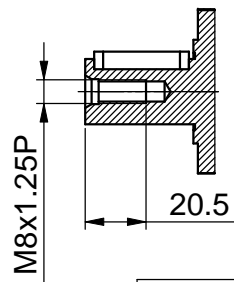
A	B	C	D	E	F	H	L
≤ 19	70	≤ 46.8	≤ 5	90	6.1~8	80~100	≥ C-5

※馬達出力軸小於19時,附襯套
 BUSHING WILL BE SUPPLIED WHEN THE MOTOR
 SHAFT DIAMETER IS SMALLER THAN 19

M6x16L內六角螺絲
 (SOCKET HEAD
 CAP SCREW)



連接板品號
 ADAPTER PART NO.
 234BC33210



規格尺寸如有變更,恕不另行通知
 SPECIFICATIONS ARE SUBJECT TO
 CHANGE WITHOUT PRIOR NOTICE

單位 Unit	mm	機型 Model Name	PGH90 單段 PGH90 1 STAGE
投影法 Project		圖號 Drawing No.	4A3XS.070090.031



世協電機股份有限公司
 SESAME MOTOR CORP.