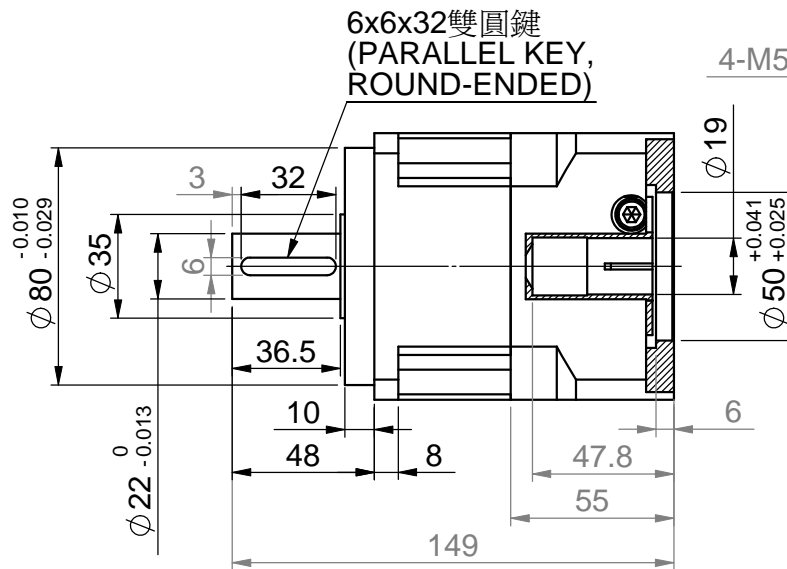
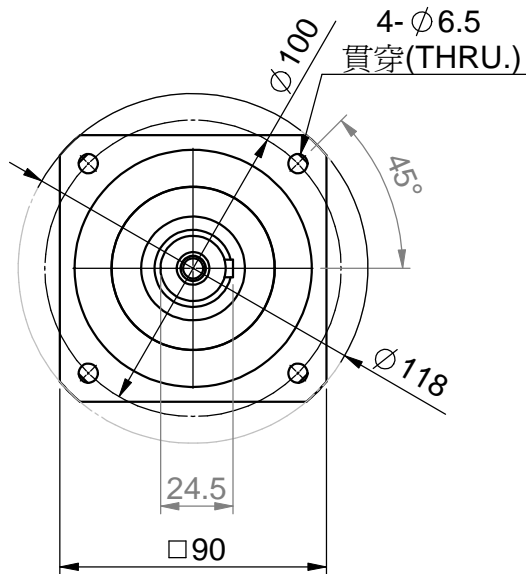


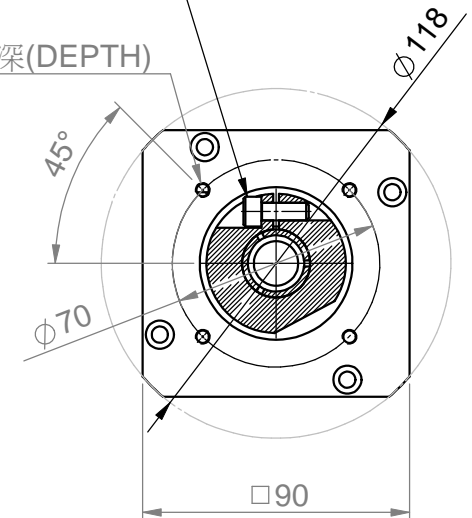
適用馬達尺寸 / COMPATIBLE MOTOR DIMENSIONS							
A	B	C	D	E	F	H	L
≤19	50	≤46.8	≤5	70	5.1~6.0	70~90	≥C-5

※馬達出力軸小於19時,附襯套  
 BUSHING WILL BE SUPPLIED WHEN THE MOTOR  
 SHAFT DIAMETER IS SMALLER THAN 19

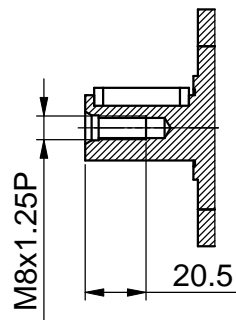
M6x16L內六角螺絲  
 ( SOCKET HEAD  
 CAP SCREW )



4-M5x0.7Px10深(DEPTH)



連接板品號  
 ADAPTER PART NO.  
 2341C33512



規格尺寸如有變更,恕不另行通知  
 SPECIFICATIONS ARE SUBJECT TO  
 CHANGE WITHOUT PRIOR NOTICE

單位 Unit	mm	機型 Model Name	PGH90 單段 PGH90 1 STAGE
投影法 Project		圖號 Drawing No.	4A3XS.050090.011



世協電機股份有限公司  
 SESAME MOTOR CORP.