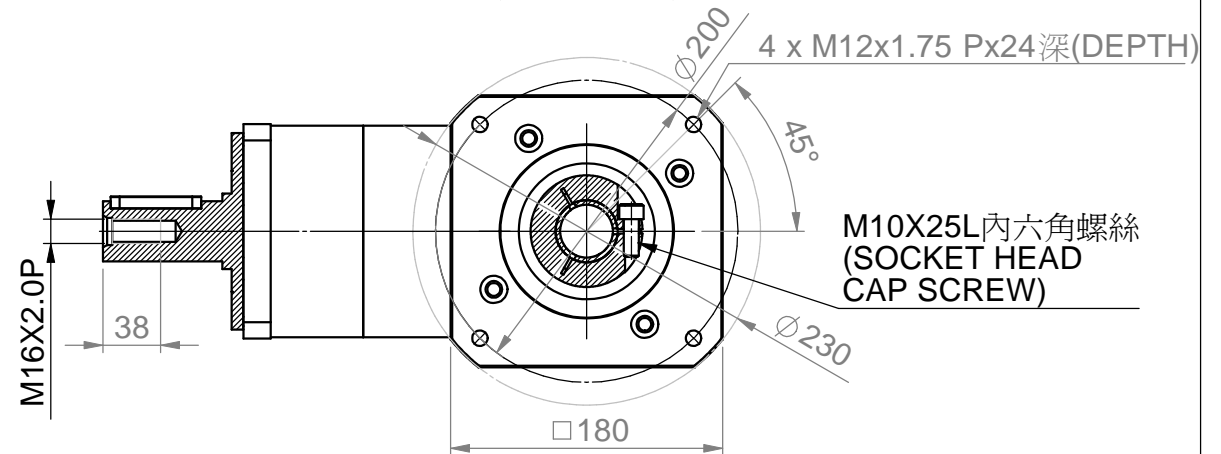
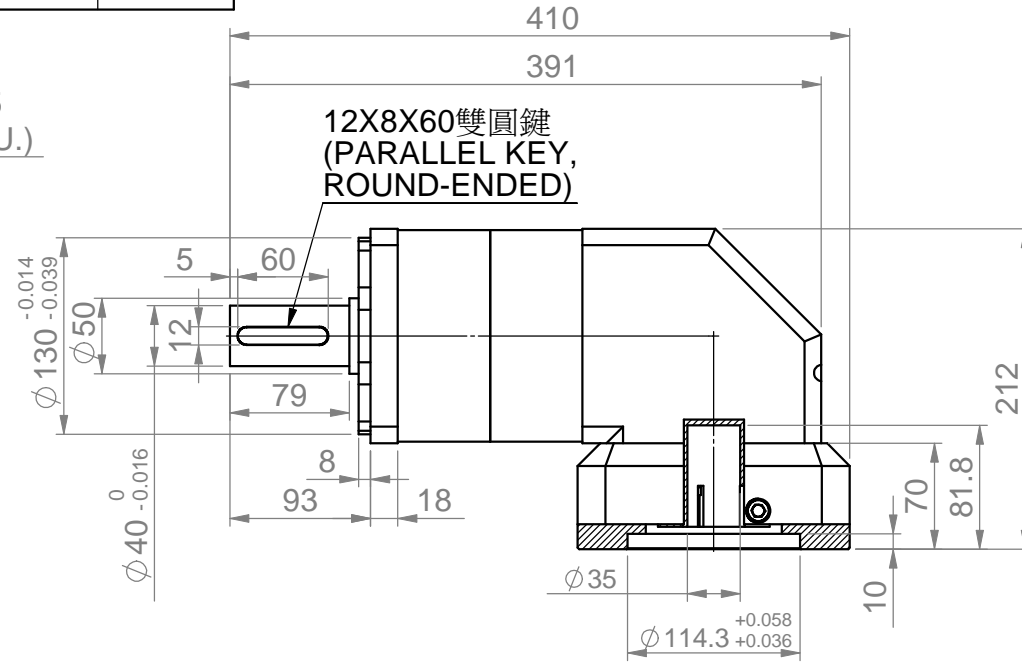
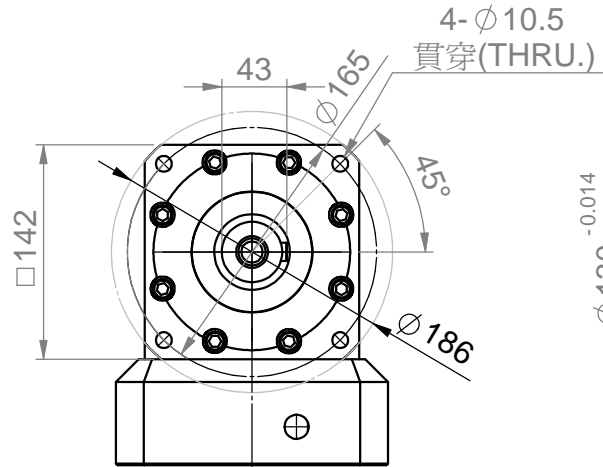


適用馬達尺寸 / COMPATIBLE MOTOR DIMENSIONS

A	B	C	D	E	F	H	L
≤35	114.3	≤80.8	≤9	200	12.1~14.0	170~190	≥C-9

※馬達出力軸小於35時,附襯套
 BUSHING WILL BE SUPPLIED WHEN THE MOTOR
 SHAFT DIAMETER IS SMALLER THAN 35



連接板品號
 ADAPTER PART NO.
 2341457601

規格尺寸如有變更,恕不另行通知
 SPECIFICATIONS ARE SUBJECT TO
 CHANGE WITHOUT PRIOR NOTICE

單位 Unit	mm	機型 Model Name	PGR142 雙段 PGR142 2 STAGE
投影法 Project		圖號 Drawing No.	3A5XD.114180.062



世協電機股份有限公司
 SESAME MOTOR CORP.