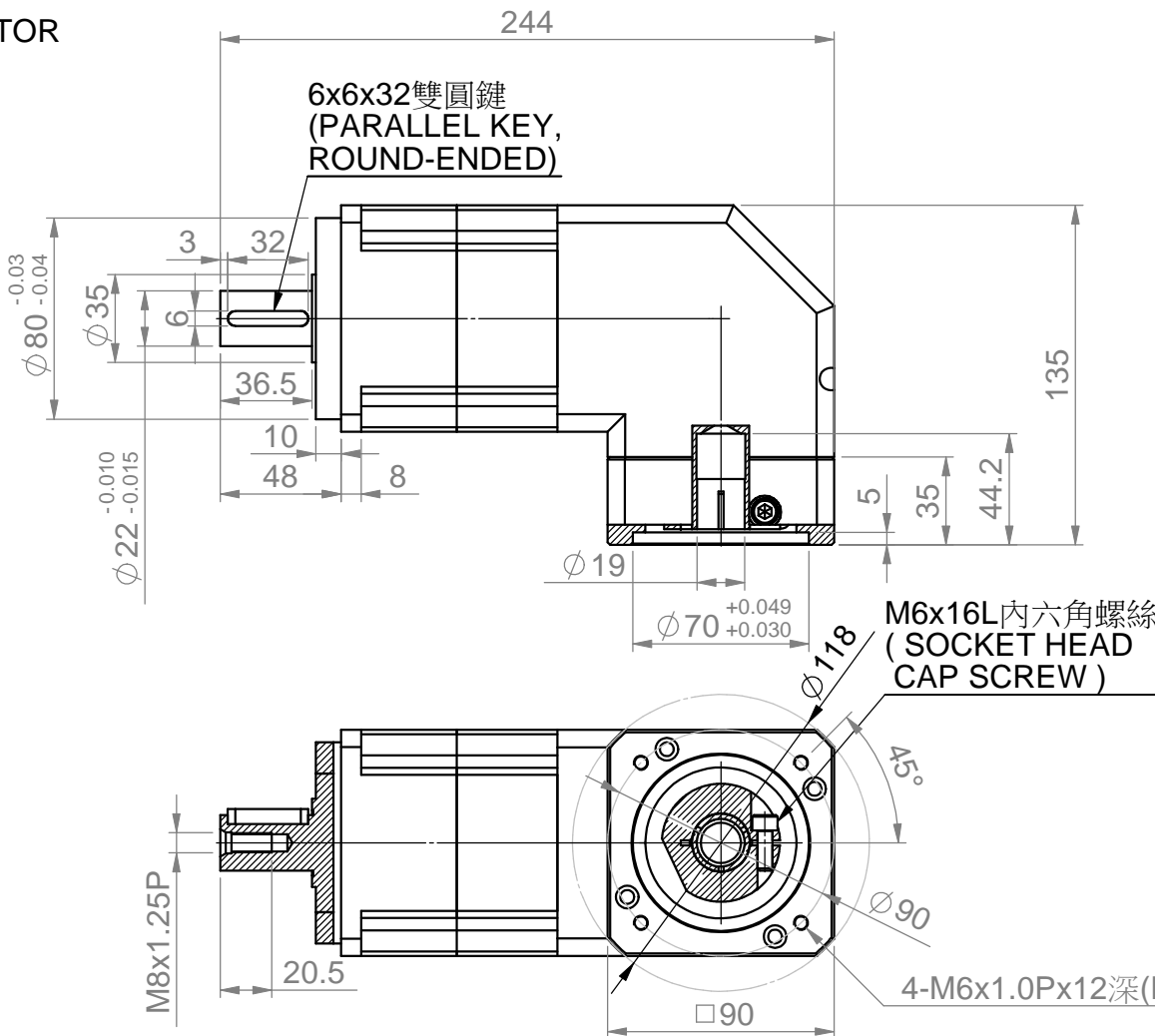
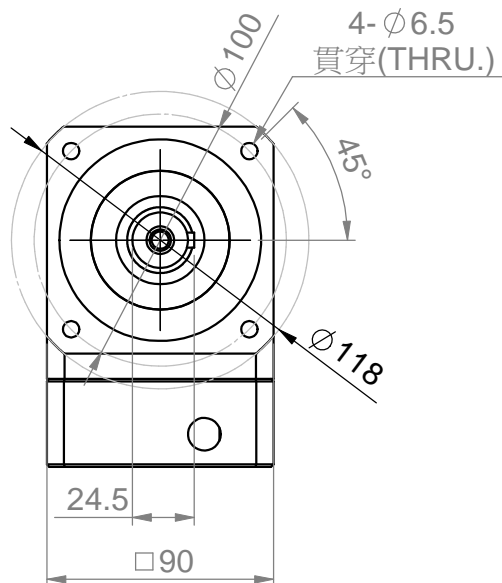


適用馬達尺寸 / COMPATIBLE MOTOR DIMENSIONS

| | | | | | | | |
|-----|----|-------|----|----|-------|-------|------|
| A | B | C | D | E | F | H | L |
| ≤19 | 70 | ≤43.2 | ≤4 | 90 | 6.1~8 | 70~90 | ≥C-4 |

※馬達出力軸小於19時,附襯套
 BUSHING WILL BE SUPPLIED WHEN THE MOTOR
 SHAFT DIAMETER IS SMALLER THAN 19



連接板品號
 ADAPTER PART NO.
 2341433311

規格尺寸如有變更,恕不另行通知
 SPECIFICATIONS ARE SUBJECT TO
 CHANGE WITHOUT PRIOR NOTICE

| | | | |
|----------------|----|-------------------|---------------------------|
| 單位 Unit | mm | 機型 Model Name | PGR90 雙段 PGR90 2 STAGE |
| 投影法 Project | | 圖號 Drawing No. | 3A3XD.070090.031 |



世協電機股份有限公司
 SESAME MOTOR CORP.