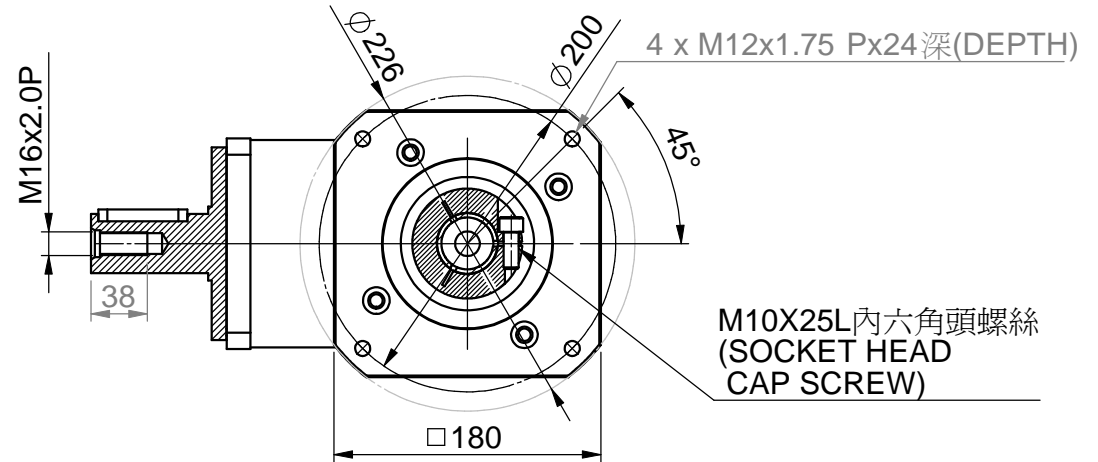
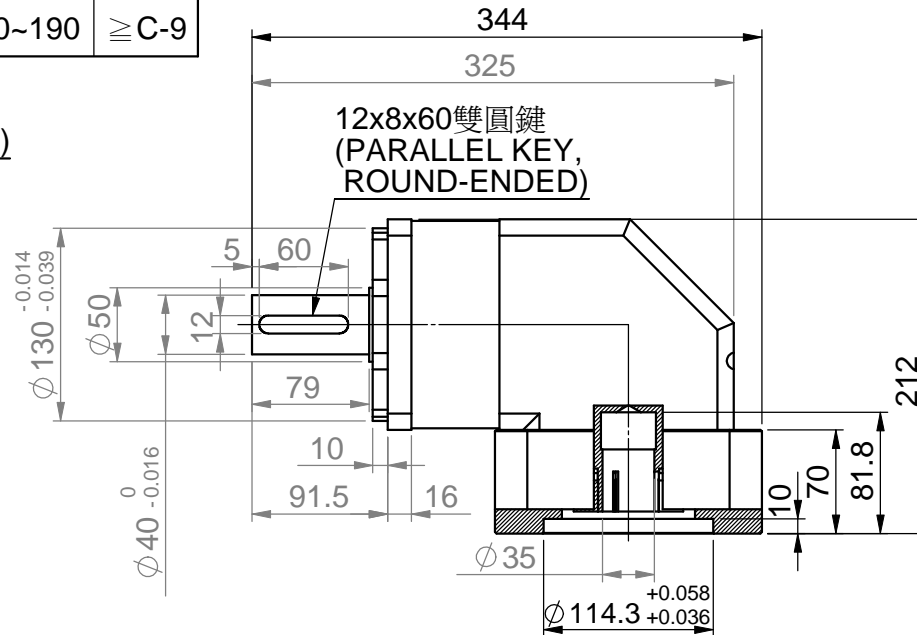
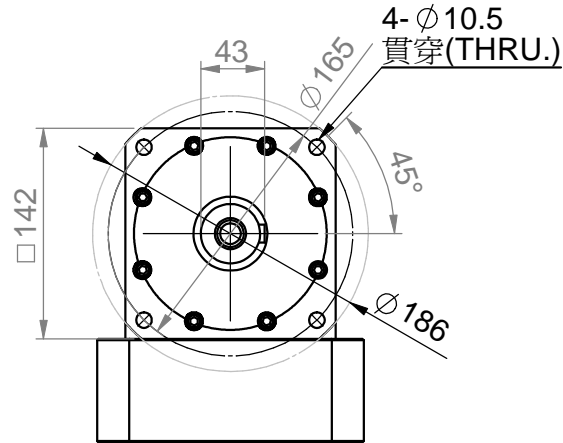


適用馬達尺寸 / COMPATIBLE MOTOR DIMENSIONS

A	B	C	D	E	F	H	L
≤35	114.3	≤80.8	≤9	200	12.1~14.0	170~190	≥C-9

※馬達出力軸小於35時,附襯套
BUSHING WILL BE SUPPLIED WHEN THE MOTOR SHAFT DIAMETER IS SMALLER THAN 35



連接板品號
ADAPTER PART No.
2341457604

規格尺寸如有變更,恕不另行通知
SPECIFICATIONS ARE SUBJECT TO
CHANGE WITHOUT PRIOR NOTICE

單位 Unit	mm	機型 Model Name	PGRH142 單段 PGRH142 1 STAGE
投影法 Project		圖號 Drawing No.	6A5XS.114182.062

世協電機股份有限公司
SESAME MOTOR CORP.