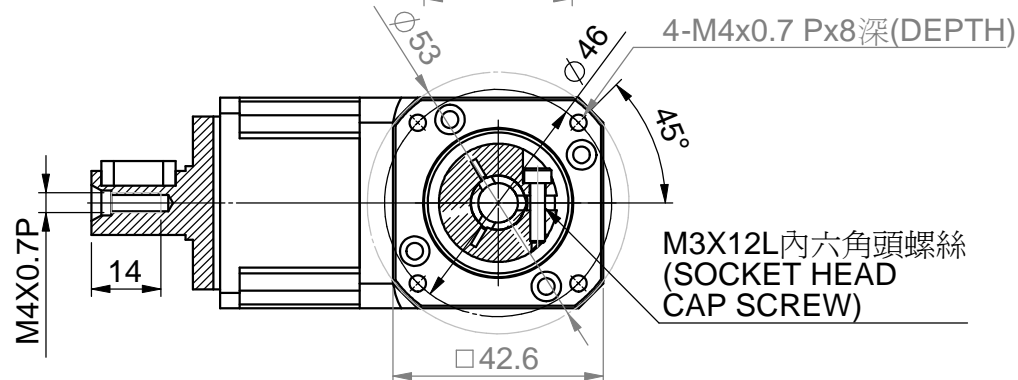
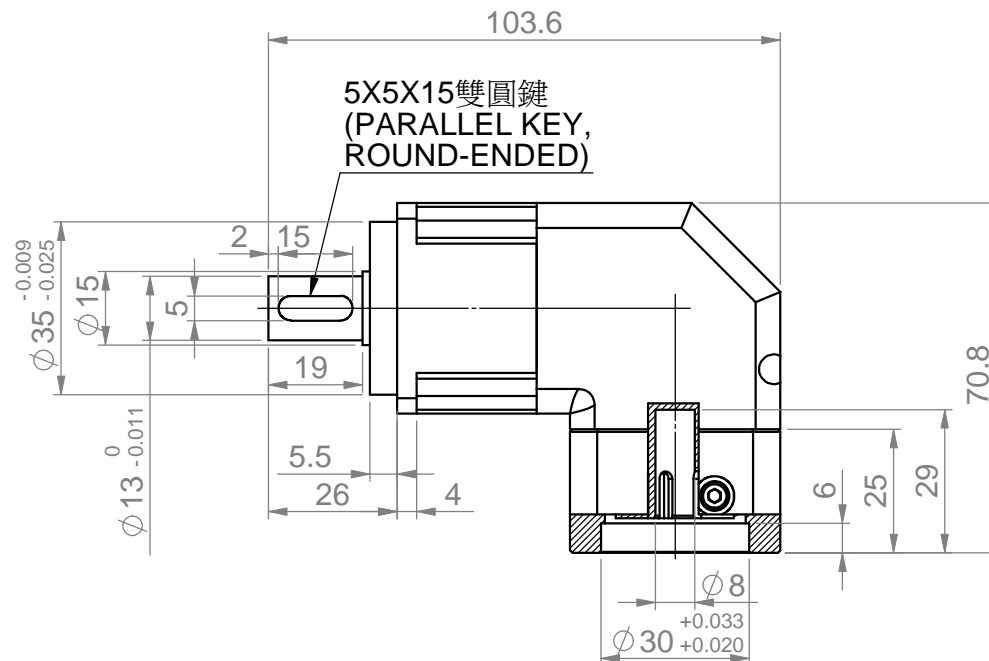
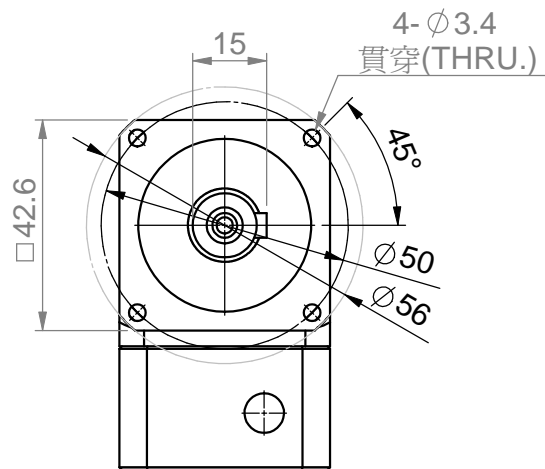


適用馬達尺寸 / COMPATIBLE MOTOR DIMENSIONS

A	B	C	D	E	F	H	L
≤ 8	30	≤ 28	≤ 5	46	4.1~5.0	30~50	≥ C-5

※馬達出力軸小於8時,附襯套
 BUSHING WILL BE SUPPLIED WHEN THE MOTOR SHAFT DIAMETER IS SMALLER THAN 8



連接板品號
 ADAPTER PART NO.
 2341411113

規格尺寸如有變更,恕不另行通知
 SPECIFICATIONS ARE SUBJECT TO
 CHANGE WITHOUT PRIOR NOTICE

單位 Unit	mm	機型 Model Name	PGRH42 單段 PGRH42 1 STAGE
投影法 Project		圖號 Drawing No.	6A1XS.030042.111



世協電機股份有限公司
 SESAME MOTOR CORP.